

PA Bridge Handle

6-1031

RoHS
WEEE

Advantages

- Bridge handle, two sizes.
- For vertical or horizontal applications.



Material

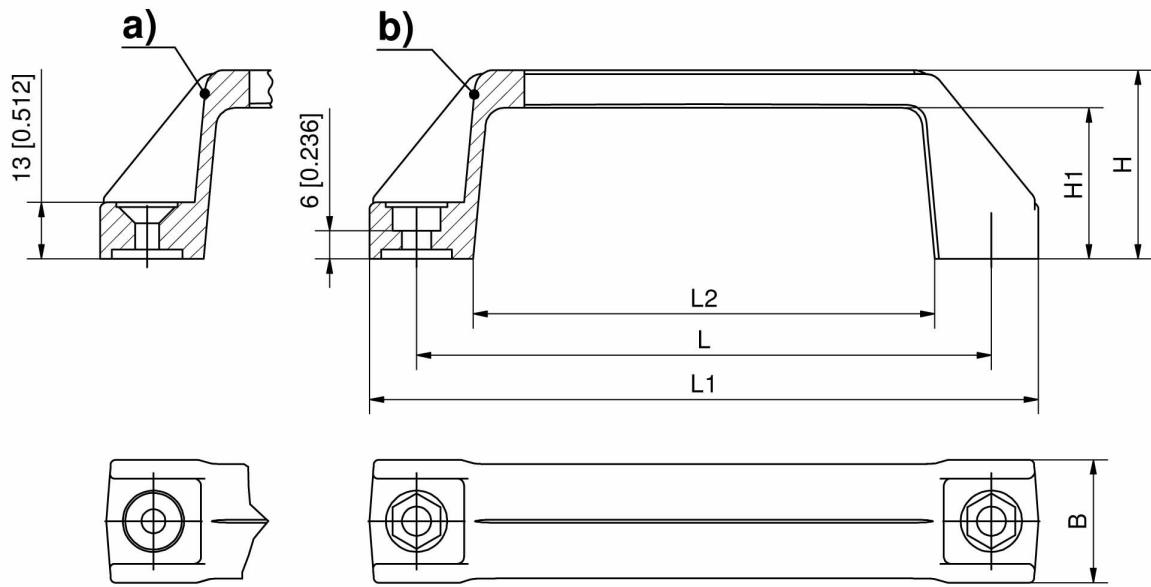
- **Bridge handle:** PA, black

Remarks

- a) Fastening with countersunk head screws DIN EN ISO 10642.
 b) Fastening with cap screws DIN 7984, cap screws DIN ISO 4762, hexagon head screws DIN 931 SW10.

Bridge Handle

	Product number	Fastening type	L	L1	L2	H	H1	B	Installation type	Delivery Unit
a)	213-0202.03-00000	Countersunk screws M5	122 mm	142 mm	98 mm	40 mm - 40 mm	32 mm	26 mm	screw-on	10 pcs.
b)	213-0201.03-00000	Hexagon screws M6	122 mm	142 mm	98 mm	40 mm - 40 mm	32 mm	26 mm	screw-on	10 pcs.
a)	213-0204.03-00000	Countersunk screws M5	150 mm	170 mm	120 mm	52 mm - 52 mm	42 mm	28 mm	screw-on	10 pcs.
b)	213-0203.03-00000	Hexagon screws M6	150 mm	170 mm	120 mm	52 mm - 52 mm	42 mm	28 mm	screw-on	10 pcs.





Additional information

Dimensions of PA Handles

All dimensions are to be understood as nominal dimensions in the assembled condition. Due to post-shrinkage, relaxation and moisture absorption depending on potential influences (e.g. temperature, humidity, etc.), the dimensional accuracy may deviate in the delivery / storage condition without affecting the assembly of the article.