

Leveling Foot M6/M8

6-008

RoHS
WEEE

Advantages

- Length of hexagon head screw DIN 933/ISO 4017 freely selectable (e) or hex. nut, low form DIN 439/ISO 8675/ISO 4035.
- Inclination angle of +/- 25°.
- Large contact surface due to the use of a large ball in conjunction with a small plate diameter.
- No lifting forces because the ball is stored in an indentation. This prevents the edge on the plate from breaking.
- In relation to the load the plate can be designed smaller and thus be mounted closer to the edge of the housing.
- Anti-slip insert included.



Material

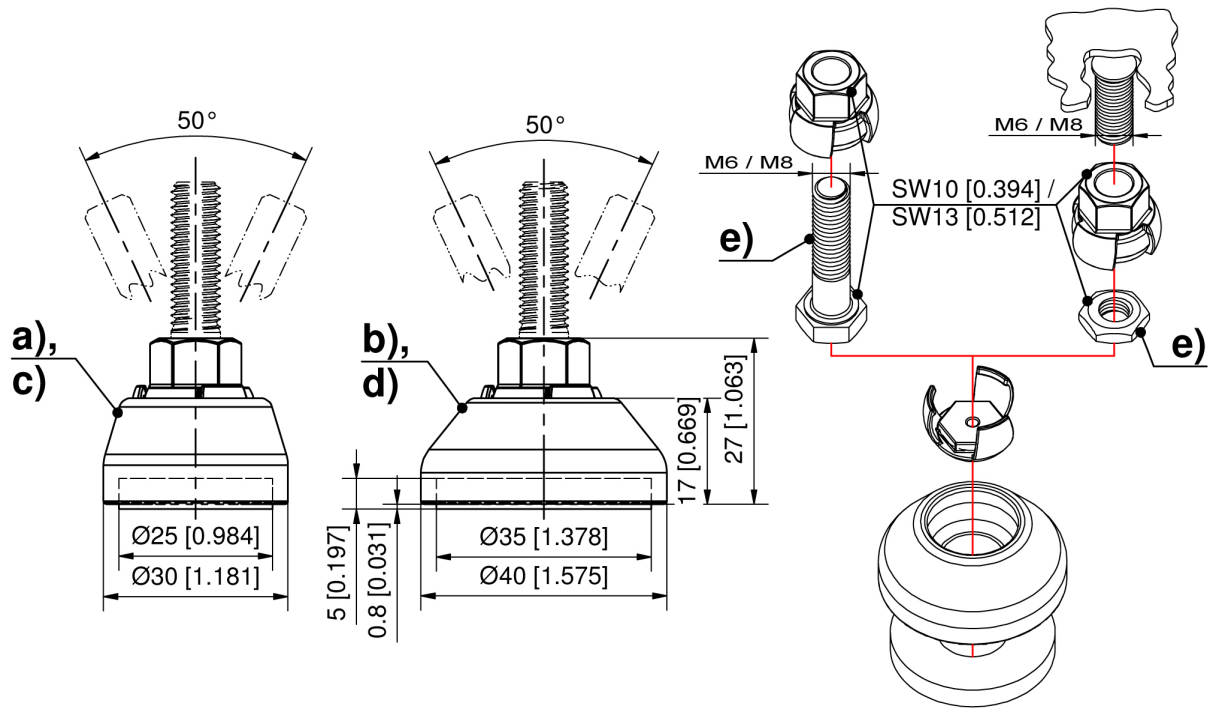
- **Plate, sleeve and nut:** PA6
- **Anti-slip insert:** NBR

Remarks

The values given in the table are based on a simple compressive load perpendicular to the Leveling Foot. The additional bending and buckling stresses that frequently occur in practice lead to reduced load-bearing capacity of the bolt and must be taken into account accordingly.

Leveling foot

	Product number	Diameter Ø	Thread size	SW	Static load capacity in kN	Delivery Unit
a)	580-9008.00-00001	30 mm	M8	13 mm	7.5	40 pcs.
b)	580-9007.00-00001	40 mm	M8	13 mm	7.5	40 pcs.
c)	580-9010.00-00001	30 mm	M6	10 mm	7.5	40 pcs.
d)	580-9009.00-00001	40 mm	M6	10 mm	7.5	40 pcs.



Supported by:



**Federal Ministry
for Economic Affairs
and Energy**



**on the basis of a decision
by the German Bundestag**