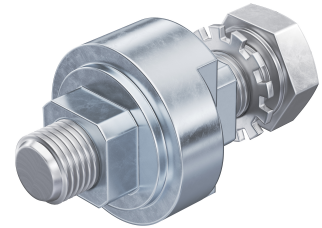


Cam Adapter Stainless Steel

7-041



Advantages

- Cam adapter for rod latch systems.
- Suitable for product systems 7-030 and 7-040.

Material

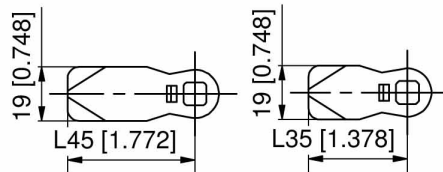
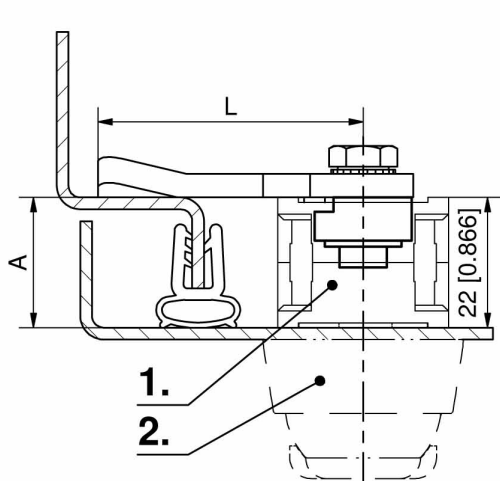
Cam adapter: AISI 316

Remarks

1. rod latch
2. escutcheon / swinghandle

Cam adapter

Product number	Name	Delivery Unit
208-9406.00-00000	Cam adapter with hex. head screw M6x25 + serrated lock washer	1 pc.



Size A in mm [inch]	Part Number	Part Number
22 [0.866]	200-0518.00-00000	200-4535.00-00018
24 [0.945]	200-0520.00-00000	200-4535.00-00020
26 [1.024]	200-0522.00-00000	200-4535.00-00022
28 [1.102]	200-0524.00-00000	-
30 [1.181]	200-0526.00-00000	-
32 [1.260]	200-0528.00-00000	-
36 [1.417]	200-0532.00-00000	-
44 [1.732]	200-0540.00-00000	-
46 [1.811]	200-0542.00-00000	-
54 [2.126]	200-0550.00-00000	-