

3-Point Cam Adapter 45° zinc die

2-151.03



Advantages

- 3-point cam adapter with stop made of zinc die.

Material

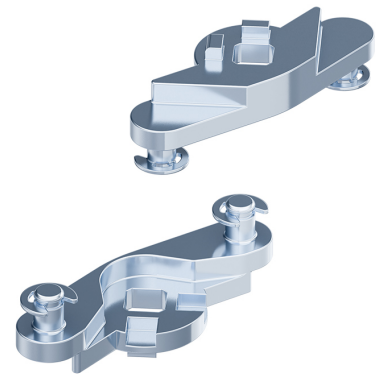
- **3-point cam adapter:** zinc die, zinc plated
- **Locking washer:** steel, zinc plated

Remarks

All cams of product system 1-102 can be applied.

Note: H-dimension of cam increases by 4mm. E.g. cam 200-0418 results in a H-dimension of 22mm. See product system 2-151.

1. stroke 35mm



Adapter for 3-point cam

| Product number | Stop | 2-point locking | 3-point locking | Delivery Unit |
|-------------------|------|-----------------|-----------------|---------------|
| 200-9594.00-00000 | Yes | Yes | Yes | 1 pc. |

