

Profile-Cylinder DIN 18252

2-140

RoHS
WEEE

Advantages

- **a)**: clip-in cam 8x45° adjustable. Key removable in closed position only.
- **b)**: spring-loaded clip-in cam. Dust-shutter.
- **c)**: cam has 90° stroke, **not** clip-in. Cam length is 12.2mm. Dust-shutter.
- **d)** clip-in cam. Dust-shutter.
- **e)**: spring-loaded clip-in cam.
- **f)**: cam **not** clip-in, 360° stroke.
- **g)**: radial pin tumbler cylinder, clip-in cam.
- **h)**: insert triangular 8, the first 4mm of the insert are free rotating. Spring-loaded clip-in cam.
- **i)**: Polyamide-plug with and without spring-loaded ball.

Material

- **a)**: brass, nickel plated
- **b), c), e) f) and g)**: zinc die, chrome plated
- **conical square e) and f)**: **housing**: zinc die, chrome plated, **insert**: steel, chrome plated
- **i) and d)**: PA, black
- **h)**: **housing**: zinc die, chrome plated, **insert**: stainless steel
- **Barrel cylinder**: zinc die
- **Dust-shutter**: stainless steel

Remarks

Versions b), c), d) and g) are supplied with 2, Version a) with 3 keys.

Profile-cylinder with pin tumbler cylinder, DIN 18252, 8 x 45° adjustable

| | Product number | Latching type | Clip-in | Delivery Unit |
|----|-------------------|-----------------|---------|---------------|
| a) | 211-9003.00-00000 | keyed alike | No | 1 pc. |
| a) | 211-9004.00-00000 | keyed different | No | 1 pc. |

Profile-cylinder with key cylinder

| | Product number | Latching type | Closing stroke | Clip-in | Delivery Unit |
|----|-------------------|------------------------|----------------|---------|---------------|
| b) | 211-9101.00-00000 | keyed different | | Yes | 1 pc. |
| b) | 211-9102.00-00000 | keyed alike DIRAK 1333 | | Yes | 1 pc. |
| b) | 511-9102.00-00000 | keyed alike DS200 | | Yes | 1 pc. |

| | Product number | Latching type | Closing stroke | Clip-in | Delivery Unit |
|----|-------------------|------------------------|----------------|---------|---------------|
| c) | 211-9301.00-00000 | keyed different | 90° | No | 1 pc. |
| c) | 211-9302.00-00000 | keyed alike DIRAK 1333 | 90° | No | 1 pc. |
| c) | 511-9302.00-00000 | keyed alike DS200 | 90° | No | 1 pc. |

Profile-cylinder PA with key cylinder

| | Product number | Latching type | Clip-in | Delivery Unit |
|----|-------------------|------------------------------|---------|---------------|
| d) | 211-9113.00-00000 | keyed alike DIRAK 1333 | Yes | 1 pc. |
| d) | 211-9115.00-00000 | keyed different (dual entry) | Yes | 1 pc. |

Profile-cylinder with insert

| | Product number | Insert | Closing stroke | Clip-in | Delivery Unit |
|----|-------------------|----------------------------|----------------|---------|---------------|
| e) | 211-9202.00-00000 | Square 6mm | | Yes | 1 pc. |
| e) | 211-9203.00-00000 | Square 7mm | | Yes | 1 pc. |
| e) | 211-9204.00-00000 | Square 8mm | | Yes | 1 pc. |
| e) | 211-9205.00-00000 | Square 8mm, slotted | | Yes | 1 pc. |
| e) | 211-9206.00-00000 | Triangular 7mm | | Yes | 1 pc. |
| e) | 211-9207.00-00000 | Triangular 8mm | | Yes | 1 pc. |
| e) | 211-9208.00-00000 | Double bit 3mm pin | | Yes | 1 pc. |
| e) | 211-9209.00-00000 | Double bit 5mm pin | | Yes | 1 pc. |
| e) | 211-9210.00-00000 | Triangular 6.5mm CNOMO | | Yes | 1 pc. |
| e) | 211-9211.00-00000 | Socket hex. 10mm | | Yes | 1 pc. |
| e) | 211-9212.00-00000 | Slotted 2x4mm | | Yes | 1 pc. |
| e) | 211-9213.00-00000 | Daimler Benz type | | Yes | 1 pc. |
| e) | 211-9214.00-00000 | Crown type | | Yes | 1 pc. |
| e) | 211-9215.00-00000 | Square socket 6mm | | Yes | 1 pc. |
| e) | 211-9216.00-00000 | Square socket 7mm | | Yes | 1 pc. |
| e) | 211-9217.00-00000 | Square socket 8mm | | Yes | 1 pc. |
| e) | 211-9218.00-00000 | Slotted recessed coinproof | | Yes | 1 pc. |
| e) | 211-9219.00-00000 | Half-round czech | | Yes | 1 pc. |
| e) | 211-9220.00-00000 | Hex. Belcore 7/16" | | Yes | 1 pc. |
| e) | 211-9235.00-00000 | Conical square 9mm | | Yes | 1 pc. |
| f) | 211-9203.00-00001 | Square 7mm | 360° | No | 1 pc. |
| f) | 211-9204.00-00001 | Square 8mm | 360° | No | 1 pc. |
| f) | 211-9206.00-00001 | Triangular 7mm | 360° | No | 1 pc. |
| f) | 211-9207.00-00001 | Triangular 8mm | 360° | No | 1 pc. |
| f) | 211-9208.00-00001 | Double bit 3mm pin | 360° | No | 1 pc. |

| | Product number | Insert | Closing stroke | Clip-in | Delivery Unit |
|----|-------------------|--------------------|----------------|---------|---------------|
| f) | 211-9209.00-00001 | Double bit 5mm pin | 360° | No | 1 pc. |
| f) | 211-9212.00-00001 | Slotted 2x4mm | 360° | No | 1 pc. |
| f) | 211-8057.00-00000 | Conical square 9mm | 360° | No | 1 pc. |

Profile-cylinder with radial pin tumbler cylinder

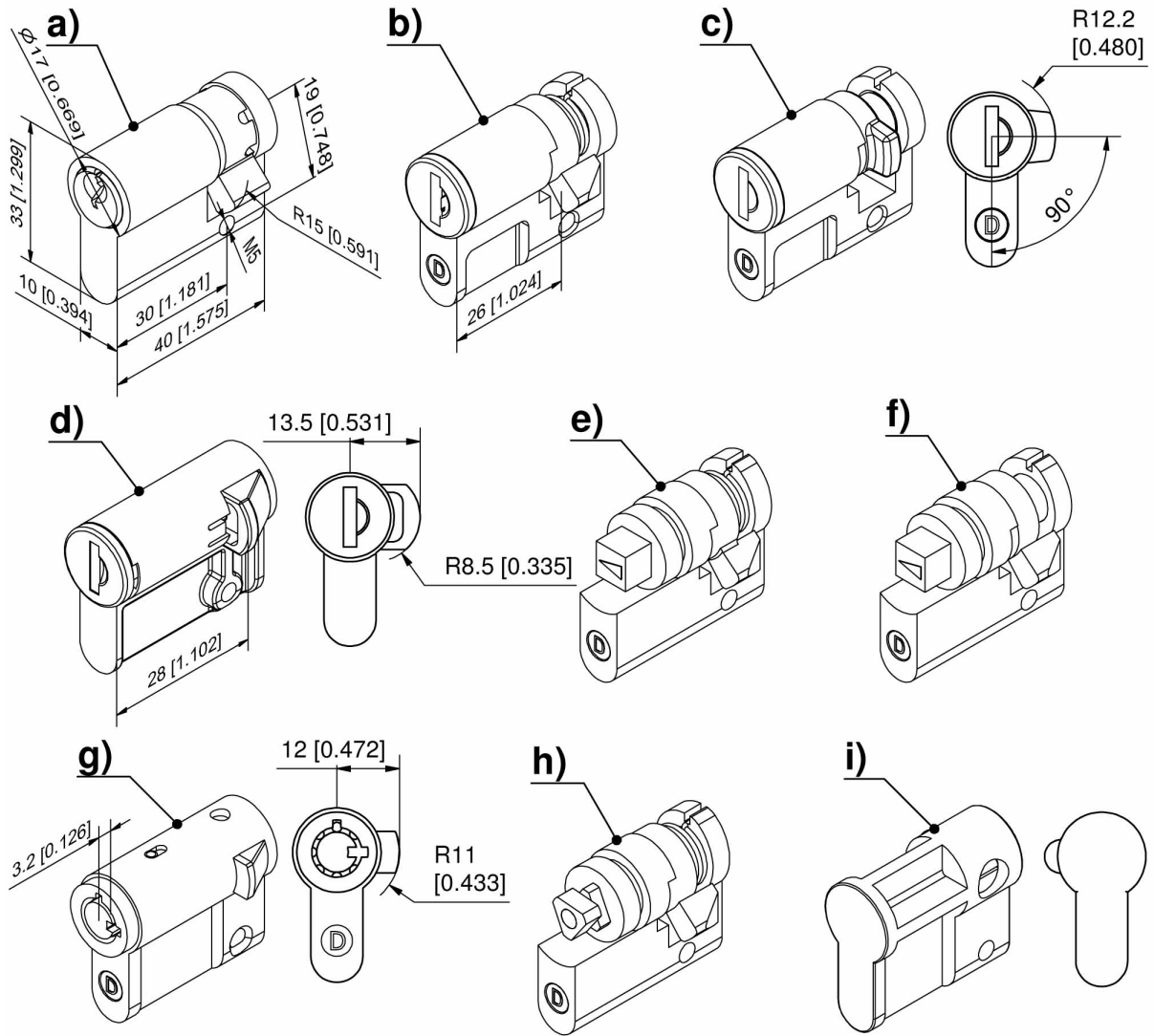
| | Product number | Locking | Latching type | Clip-in | Delivery Unit |
|----|-------------------|-------------|-------------------------|---------|---------------|
| g) | 211-9106.00-00000 | Push button | keyed different | Yes | 1 pc. |
| g) | 211-9107.00-00000 | Push button | keyed alike DIRAK D0205 | Yes | 1 pc. |

Profile-cylinder with security insert

| | Product number | Insert | Clip-in | Delivery Unit |
|----|-------------------|--|---------|---------------|
| h) | 211-9244.00-00000 | Security insert with free rotating 8mm triangular front part | Yes | 1 pc. |

Profile-cylinder with blind plug

| | Product number | Name | Clip-in | Delivery Unit |
|----|-------------------|---------------------------------------|---------|---------------|
| i) | 211-0401.03-00000 | Blind plug without spring-loaded ball | No | 1 pc. |
| i) | 211-9201.00-00000 | Blind plug with spring-loaded ball | Yes | 1 pc. |



CLOSING THUMB 8-WAY ADJUSTABLE

211-9003.00-00000
211-9004.00-00000

