

# Round Rods Stainless Steel

7-106



## Advantages

- Round rods with standard or customized lengths, different versions.

## Material

- **Round rods and rivet:** AISI 304
- **Rollers:** PA, black

## Remarks

Order example for round rods with eye and rollers, length L=840mm: 201-9026.00-00840

Bushing g) only for round rods a), b), c) and e)

**Attention:** dimension L measured to top of roller!



## Round rods with rollers Ø 8mm for adapter

	Product number	Length	Delivery Unit
a)	201-9010.00-00000	600 mm	1 pc.
a)	201-9011.00-00000	700 mm	1 pc.
a)	201-9012.00-00000	800 mm	1 pc.
a)	201-9013.00-00000	900 mm	1 pc.
a)	201-9014.00-00000	1000 mm	1 pc.
a)	201-9015.00-00000	1100 mm	1 pc.
a)	201-9016.00-00000	1200 mm	1 pc.

## Round rods Ø 8mm, variable length

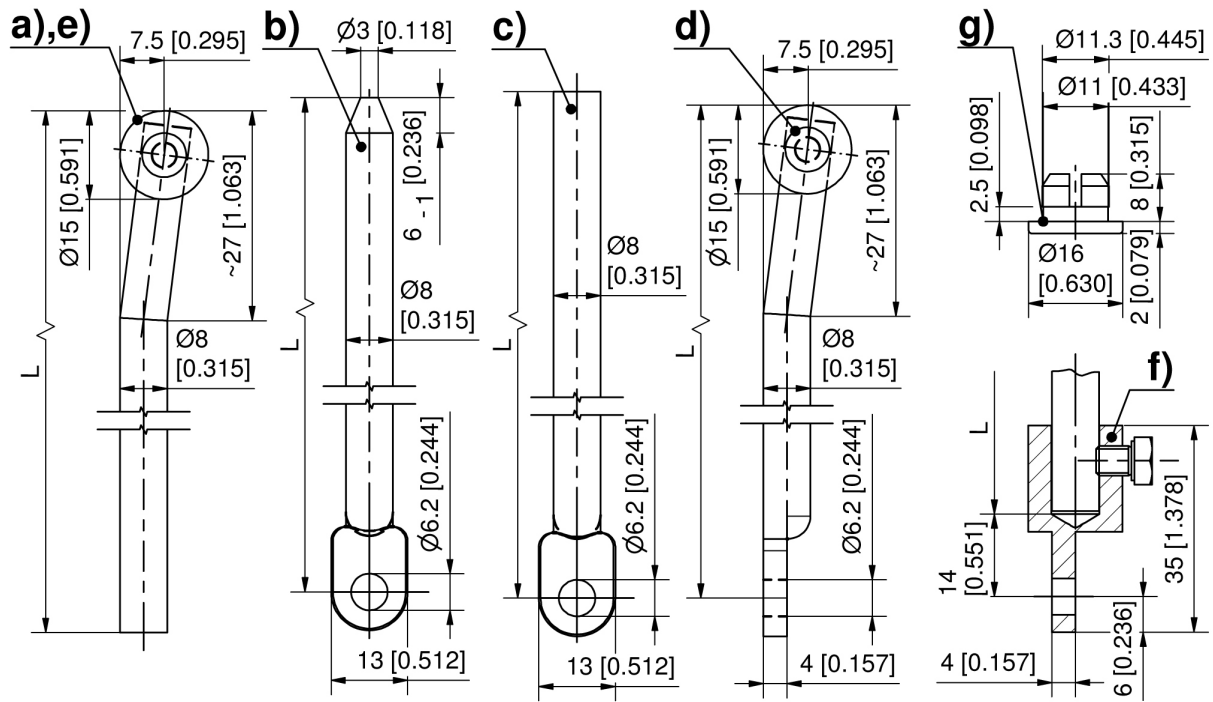
	Product number	Version	Delivery Unit
b)	201-0111.04-Lxxmm	with eye and chamfered end	on request
c)	201-0112.04-Lxxmm	with eye and flat end	on request

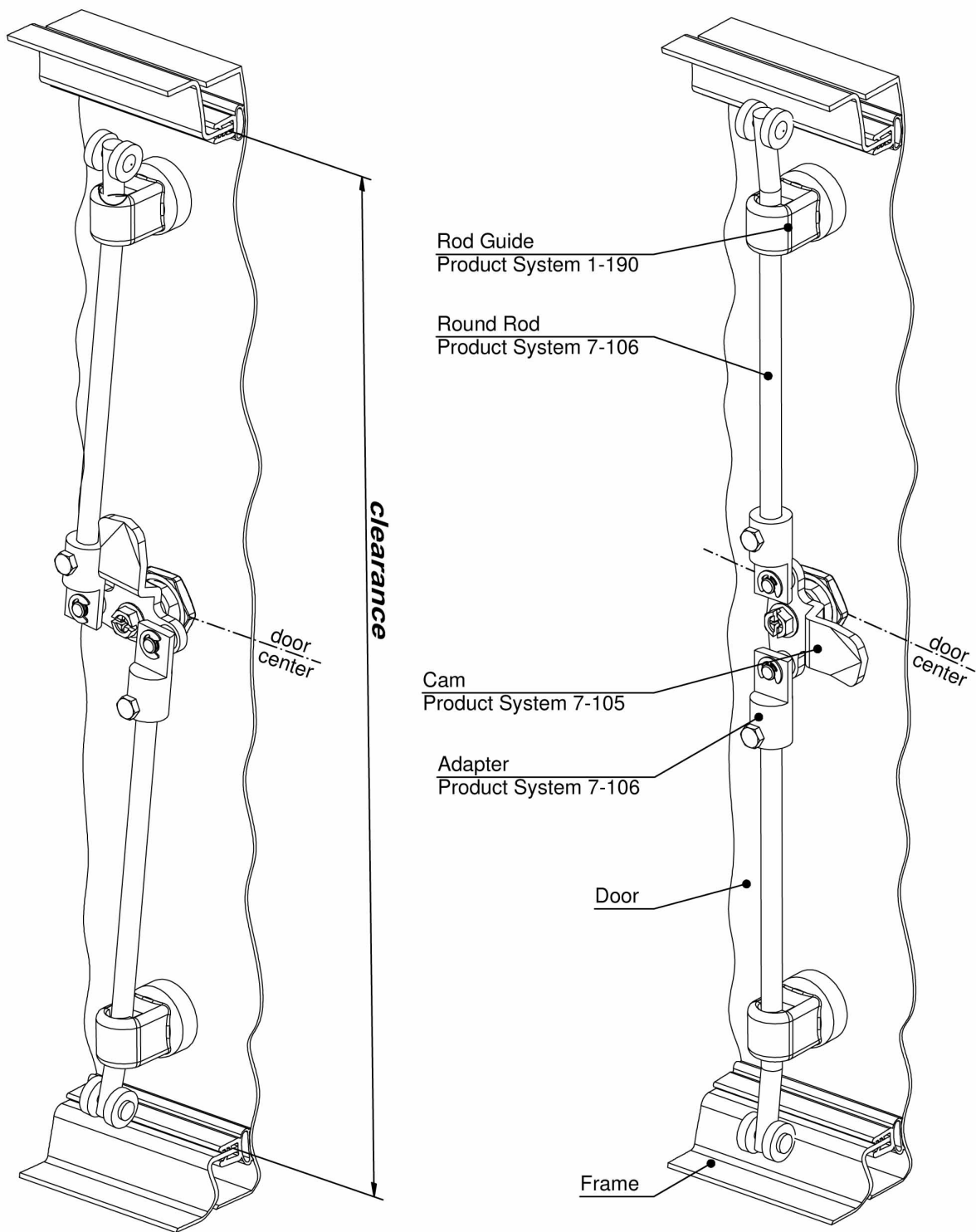


---

	<b>Product number</b>	<b>Version</b>	<b>Delivery Unit</b>
d)	201-9026.00-Lxxmm	with eye and rollers	on request
e)	201-9037.00-Lxxmm	with rollers, for adapter	on request

---





For custom length rods as product system 7-106  
the length L for rod control at the door center is:

$$L = \frac{\text{clearance} - 12\text{mm} [0.472]}{2 [0.079]}$$