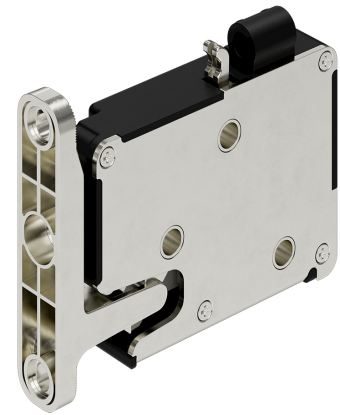


Rotary Slam Latch mechatronic

MLU1003



Advantages

- Electronic unlocking by applying voltage.
- Latch status can be evaluated.
- Door status can be evaluated.
- IP20 according to DIN EN 60529.
- Mechanical emergency opening by bowden cable.

Material

- **Latch:** ABS + PC + AISI 304
- **Hook:** zinc die

Remarks

Wall / Sheet Thickness independent

1. hook
2. operation emergency opening
3. leading channel
4. connective contact

Further technical details please see data sheet

Rotary Slam Latch MLU1003

Product number	Installation type	Delivery Unit
600-9013.00-00824	screw-on	1 pc.

Accessories for Rotary Slam Latch MLU1003

Product number	Name	Length	Installation type	Delivery Unit
607-8789.00-00350	Molex Control Wire MLU1003	3500 mm	screw-on	1 pc.
600-9014.00-00600	Emergency Opening MLU1003	600 mm	screw-on	1 pc.



Product number	Name	Length	Installation type	Delivery Unit
600-9014.00-01200	Emergency Opening MLU1003	1200 mm	screw-on	1 pc.
600-9014.00-02500	Emergency Opening MLU1003	2500 mm	screw-on	1 pc.

Functionality/Activation

Electronic unlocking by applying voltage (pulse $\geq 1s$).
Latch status (open/closed) can be evaluated. Door status (open/closed) can be evaluated.

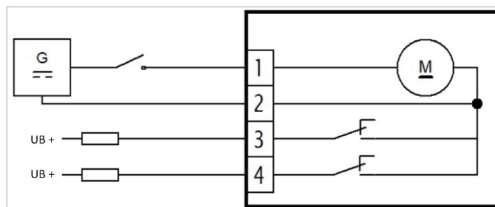
Open/Close status

Latch status (PIN 4) can be evaluated

- Pin 4 provides an open circuit when the latch bolt is closed. Connection according to circuit diagram against ground
- Transport current, switching current max. 500mA

Door status (PIN 3) can be evaluated

- In conjunction with the supplied latching hook, pin 3 provides a closed circuit when the door is closed. Connection according to circuit diagram against ground
- Transport current, switching current max. 500mA



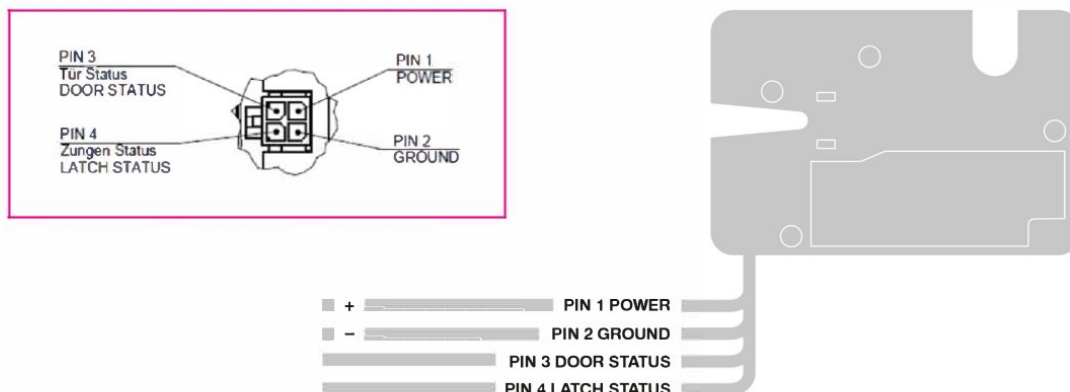
Technical data

- Power supply (DC): 8V – 24V
 - Current: 8V = 40mA
 - Current: 12V = 20mA
 - Current: 24V = 10mA
- Temperature range: -40°C to 75°C
- Maximum holding force: 350kg
- IP20 in accordance with DIN EN 60529
- Wall/sheet thickness independent
- Opening cycles > 300,000
- ROHS, REACH

Features

- Emergency opening by bowden cable

Wire designation



Connection line

- Length: 3.5m
- Ø 5mm with 4 single wires cross-section 0,14 mm²
- Connector designation: Molex Micro-Fit 3.0 housing, double row, 4-pin

Liability clause for sales products

The above information and our technical application advice, whether verbal, in writing or by means of tests, are given to the best of our knowledge. However, this information shall be regarded as non-binding only, also with regard to any third-party property rights.

This information does not exempt you from conducting your own review of our current advisory suggestions. This applies in particular to the technical information on our products in terms of their suitability for use and application.

The application, use and processing of our products and the products manufactured by you on the basis of our technical application advice are beyond our control and are therefore exclusively your responsibility.

The sale of our products is subject to our current general terms and conditions of sale and delivery.

