

Telescopic Cover Support Stainless Steel

7-300



Advantages

- For doors and lids.
- For wide lids with 2 cover stays you can release the 2 stops by installing 2 eyelets connected by a steel wire.
- RH / LH application.

Material

- **Telescopic cover support:** AISI 304
- **Washer:** POM

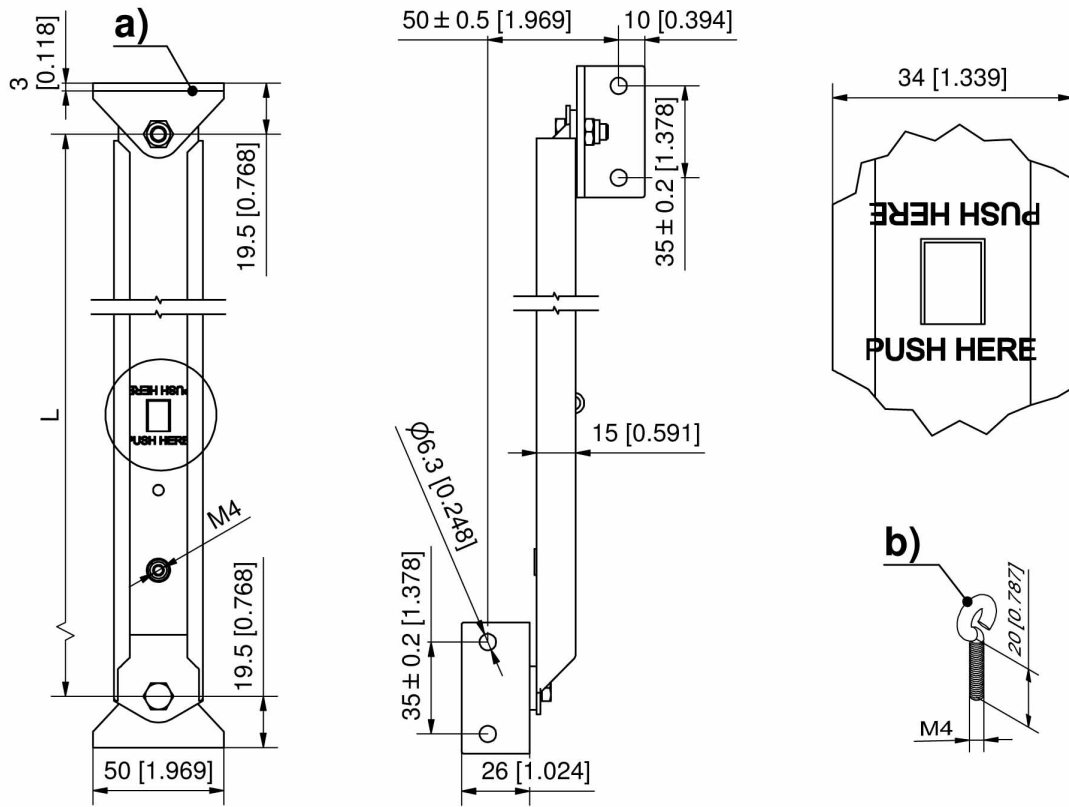
Remarks

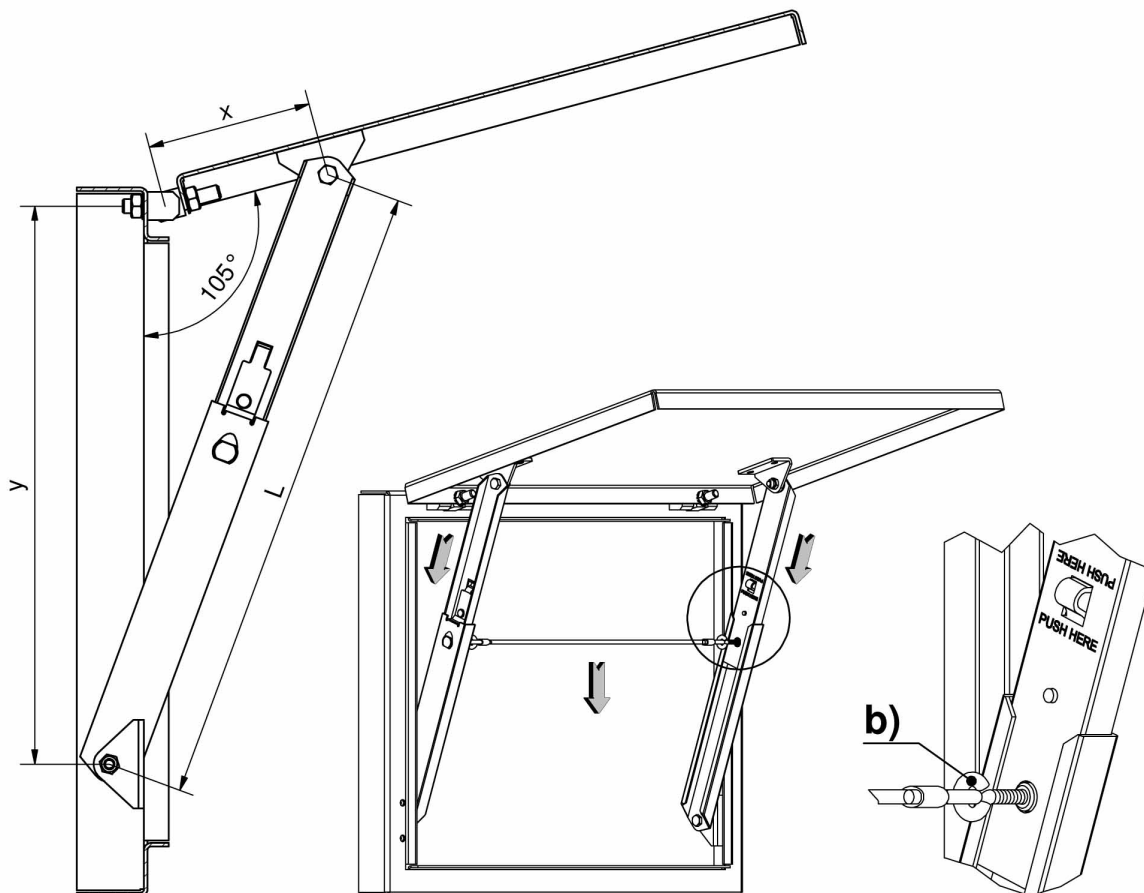
Other length L on request.

Dimensions X and Y determine the opening angle.

Telescopic Cover Support

	Product number	Length L retracted	Length L extended	Delivery Unit
a)	230-9501.00-00000	370±2	710±2	5 pcs.
a)	230-9502.00-00000	215±2	355±2	5 pcs.





Telescopic Cover Support 230-9501.00-00000				
Opening Angle	Length L, retracted	Length L, extended	approx. Dimension y	approx. Dimension x
90°	370 [14.567]	710 [27.953]	660 [25.984]	240 [9.449]
105°	370 [14.567]	710 [27.953]	615 [24.213]	220 [8.661]
120°	370 [14.567]	710 [27.953]	585 [23.031]	200 [7.874]
135°	370 [14.567]	710 [27.953]	567 [22.323]	180 [7.087]
Telescopic Cover Support 230-9502.00-00000				
Opening Angle	Length L, retracted	Length L, extended	approx. Dimension y	approx. Dimension x
90°	215 [8.465]	355 [13.976]	332 [13.071]	105 [4.134]
105°	215 [8.465]	355 [13.976]	315 [12.402]	93 [3.661]
120°	215 [8.465]	355 [13.976]	302 [11.890]	83 [3.268]
135°	215 [8.465]	355 [13.976]	297 [11.693]	71 [2.795]
<ul style="list-style-type: none"> •The stated dimensions are only valid in the shown assembly situation (Hinge 7-120). •Changing the assembly situation makes own tests necessary. •Opening angle can be varied by changing dimensions y and x. •When using two cover stays ring bolts (b) can be screwed on the inside of both locks. After connecting them with a steel wire both cover stays can be unlocked simultaneous. 				

