

# Telescopic Cover Support

6-190

RoHS  
WEEE



## Advantages

- Clicks into place.
- When using two cover stays ring bolts (2) can be screwed on the inside of both locks. After connecting them with a steel wire both cover stays can be unlocked simultaneous.
- RH and LH application.



## Material

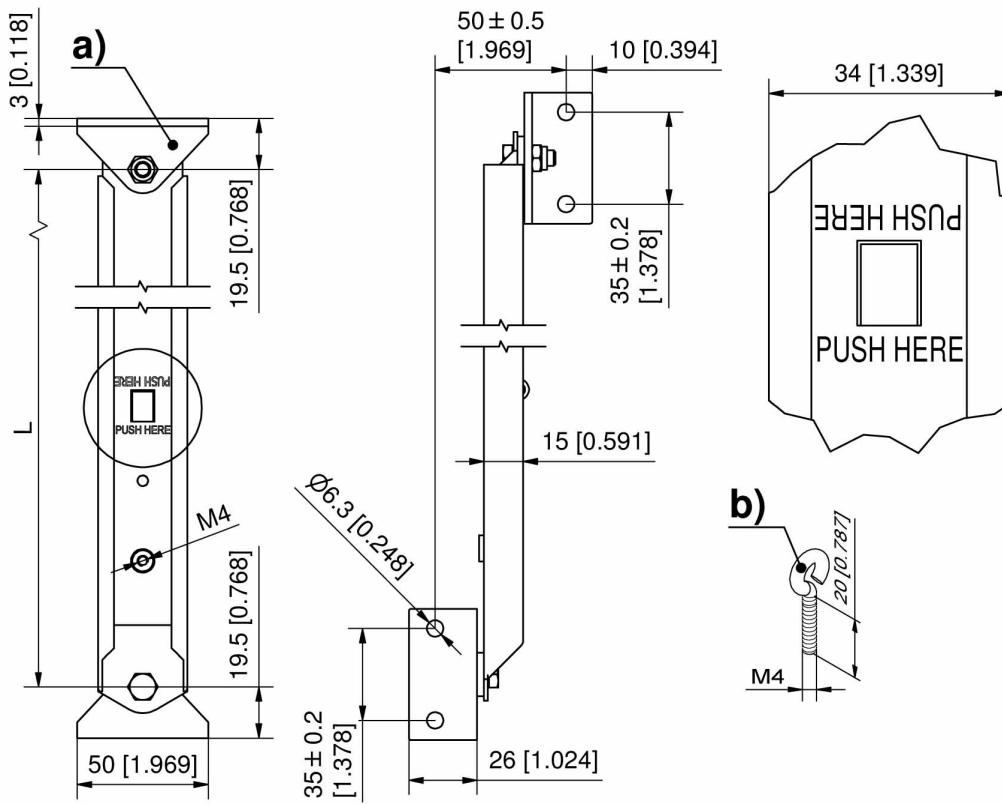
- **Telescopic cover support:** steel, zinc plated
- **Spring:** stainless steel

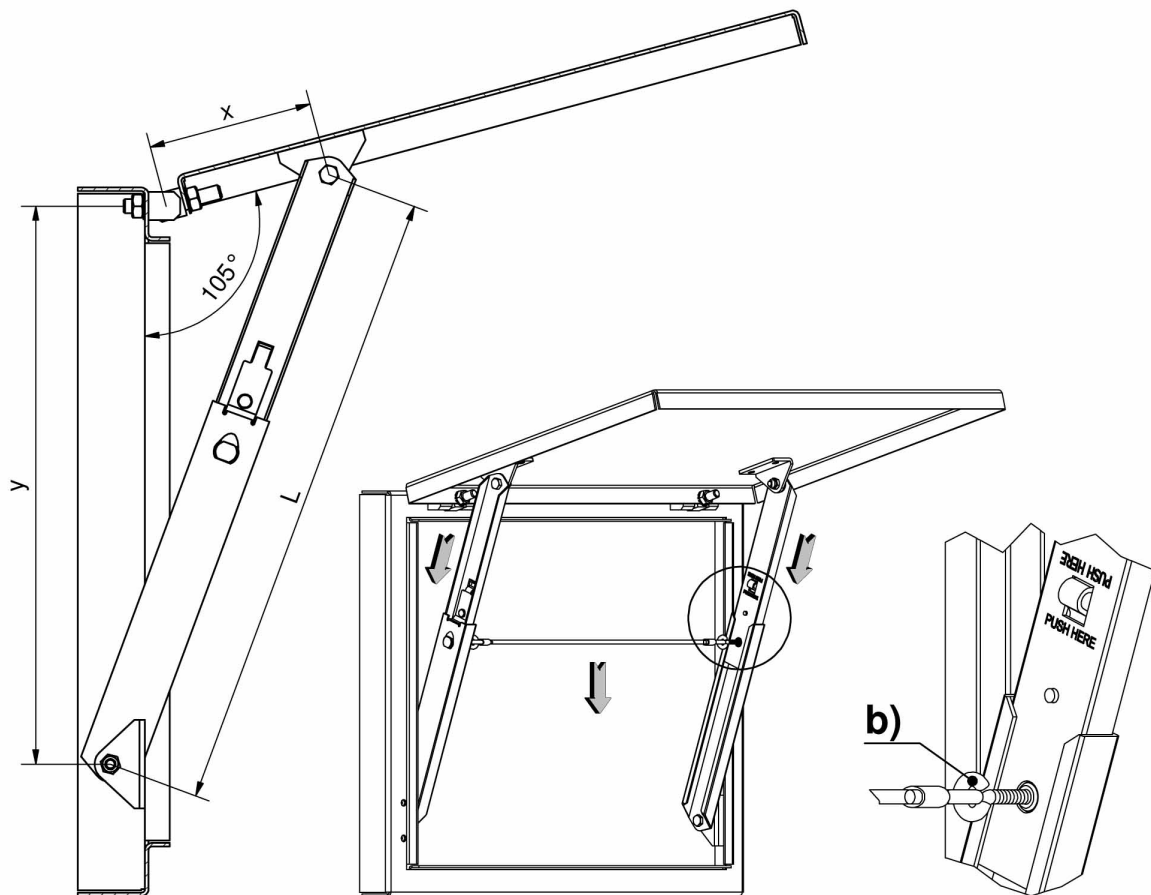
## Remarks

The opening angle is determined by the dimensions X and Y.

## Telescopic Cover Support

	Product number	Length L retracted	Length L extended	Delivery Unit
a)	230-9305.00-00000	370±2	710±2	1 pc.
a)	230-9306.00-00000	215±2	355±2	1 pc.





<b>Telescopic Cover Support 230-9305.00-00000</b>				
Opening Angle	Length L, retracted	Length L, extended	approx. Dimension y	approx. Dimension x
90°	370 [14.567]	710 [27.953]	660 [25.984]	240 [9.449]
105°	370 [14.567]	710 [27.953]	615 [24.213]	220 [8.661]
120°	370 [14.567]	710 [27.953]	585 [23.031]	200 [7.874]
135°	370 [14.567]	710 [27.953]	567 [22.323]	180 [7.087]
<b>Telescopic Cover Support 230-9306.00-00000</b>				
Opening Angle	Length L, retracted	Length L, extended	approx. Dimension y	approx. Dimension x
90°	215 [8.465]	355 [13.976]	332 [13.071]	105 [4.134]
105°	215 [8.465]	355 [13.976]	315 [12.402]	93 [3.661]
120°	215 [8.465]	355 [13.976]	302 [11.890]	83 [3.268]
135°	215 [8.465]	355 [13.976]	297 [11.693]	71 [2.795]
<ul style="list-style-type: none"> <li>•The stated dimensions are only valid in the shown assembly situation (Hinge 4-200).</li> <li>•Changing the assembly situation makes own tests necessary.</li> <li>•Opening angle can be varied by changing dimensions y and x.</li> <li>•When using two cover stays ring bolts (b) can be screwed on the inside of both locks. After connecting them with a steel wire both cover stays can be unlocked simultaneous.</li> </ul>				