

Steel Tube Ø30mm

6-1600.900

Advantages

- For product system 6-1600DST, 6-1600.01, 6-1600.02, 6-1680.

Material

- **Steel tubes:** steel, PVC with steel spring core

Remarks

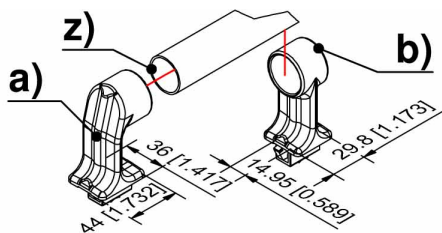


Steel tube

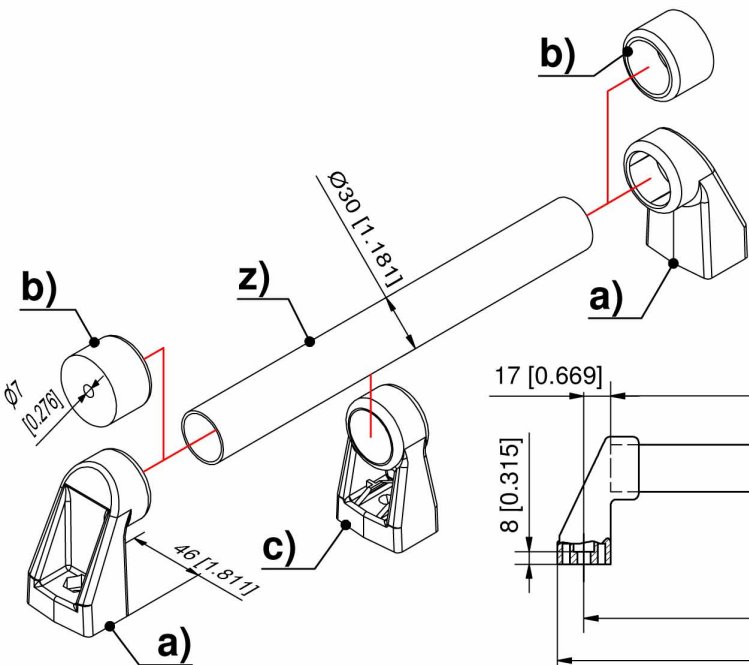
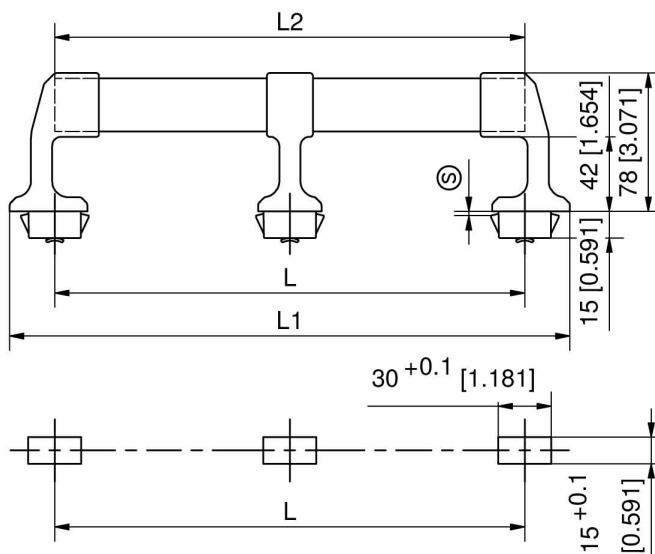
	Product number	Name	Delivery Unit
z), z), z), z)	213-0401.00-00000	Steel tube, 266mm	10 pcs.
z), z), z), z)	213-0402.00-00000	Steel tube, 366mm	10 pcs.
z), z), z), z)	213-0403.00-00000	Steel tube, 466mm	10 pcs.
z), z), z), z)	213-0404.00-00000	Steel tube, 566mm	10 pcs.
z), z), z), z)	213-0405.00-00000	Steel tube, 666mm	10 pcs.
z), z), z), z)	213-0406.00-00000	Steel tube, 766mm	10 pcs.
z), z), z)	213-0407.00-00000	Steel tube, 2500mm	10 pcs.

Steel tube, special length

	Product number	Name	Material	Surface	Delivery Unit
z), z), z)	213-0408.00-Lxxmm	Steel tube, variable length	steel, PVC coated	black	on request



Part number	L mm [inch]	L1 mm [inch]	L2 mm [inch]
z) 213-0401.00-00000	266 [10.472]	317 [12.480]	266 [10.472]
z) 213-0402.00-00000	366 [14.409]	417 [16.417]	366 [14.409]
z) 213-0403.00-00000	466 [18.346]	517 [20.354]	466 [18.346]
z) 213-0404.00-00000	566 [22.283]	617 [24.291]	566 [22.283]
z) 213-0405.00-00000	666 [26.220]	717 [28.228]	666 [26.220]
z) 213-0406.00-00000	766 [30.157]	817 [32.165]	766 [30.157]
z) 213-0407.00-00000	2500 [98.425]	2551 [100.434]	2500 [98.425]



Part number	L mm [inch]	L1 mm [inch]	L2 mm [inch]
z) 213-0401.00-00000	300 [11.811]	334 [13.150]	266 [10.472]
z) 213-0402.00-00000	400 [15.748]	434 [17.087]	366 [14.409]
z) 213-0403.00-00000	500 [19.685]	534 [20.354]	466 [18.346]
z) 213-0404.00-00000	600 [23.622]	634 [24.961]	566 [22.283]
z) 213-0405.00-00000	700 [27.560]	734 [28.898]	666 [26.220]
z) 213-0406.00-00000	800 [31.496]	834 [32.835]	766 [30.157]

