

Rods and Accessories FS OFFSET-DUO-3

3-311



Advantages

- We show a typical 3-point system for a RH door. All rods run exactly in line and the lower rod is starting from the doorcenter, exactly symmetrical to the upper rod (not shown).
- As the fitting positions of the latching hooks are identical to those of the hinges, the door can be installed RH or LH.
- Depending on the installed rod guides and hinges, a minimal frame width of 30mm is possible.
- Quick-fit.

Material

- **Rods:** steel, zinc plated
- **Latching hook:** zinc die

Remarks

1. stroke 19mm
2. latching tab

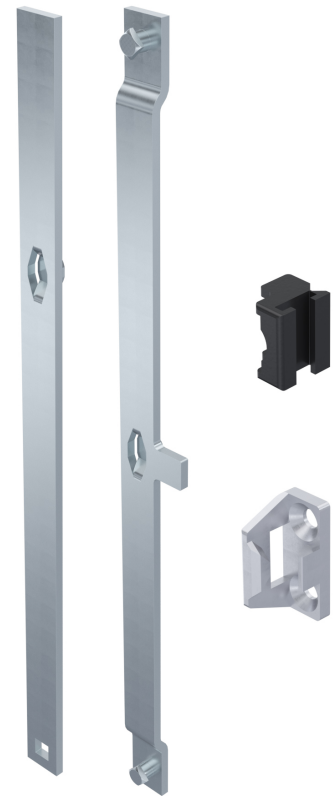
Driving rod - per latching system order 1 unit.

Extension rods - per latching system order 2 units.

Latching hooks have to be ordered separately - for quantity please see table.

Flat rods b) on request

Latching rods and accessoires for application with swinghandles OFFSET-DUO-3, product system 3-310.



Flat rods 14x3mm

Product number	Type	Door height Th	Distance hook A	Quantity latching hooks	L	Delivery Unit
a) 307-9001.00-00000	Central controlling rod				250 mm	10 pcs.

Product number	Type	Door height Th	Distance hook A	Quantity latching hooks	L	Delivery Unit
b) 208-0942.00-00000	Rod	800 mm - 1200 mm	300 mm	2	250 mm	10 pcs.
b) 208-0943.00-00000	Rod	1200 mm - 1600 mm	500 mm	2/3	450 mm	10 pcs.
b) 208-0944.00-00000	Rod	1600 mm - 1900 mm	700 mm	3	650 mm	10 pcs.
b) 208-0945.00-00000	Rod	1900 mm - 2200 mm	850 mm	3	800 mm	10 pcs.

Latching hook

Product number	Delivery Unit
c) 208-1424.00-00000	10 pcs.

