

NT Swinghandle FS PrC

3-061



Advantages

- Extremely narrow gap.
- Handle spring-loaded, remains in the opening position.
- The flush design prevents this swinghandle being used as climbing support.
- IP65 according to DIN EN 60529.
- RH / LH application.
- Permanent magnet keeps the cylinder cover closed.
- Grounding by grounding clip (optional).

Material

- **Handle, lifting hook:** AISI 304
- **Dish, cap, carrier:** zinc die
- **Cap sealing and o-ring:** NBR

Remarks

(S) Door-thickness 1.5 - 2.5mm

Countersunk screws M5x16, for fastening the cylinder is included in the scope of delivery.

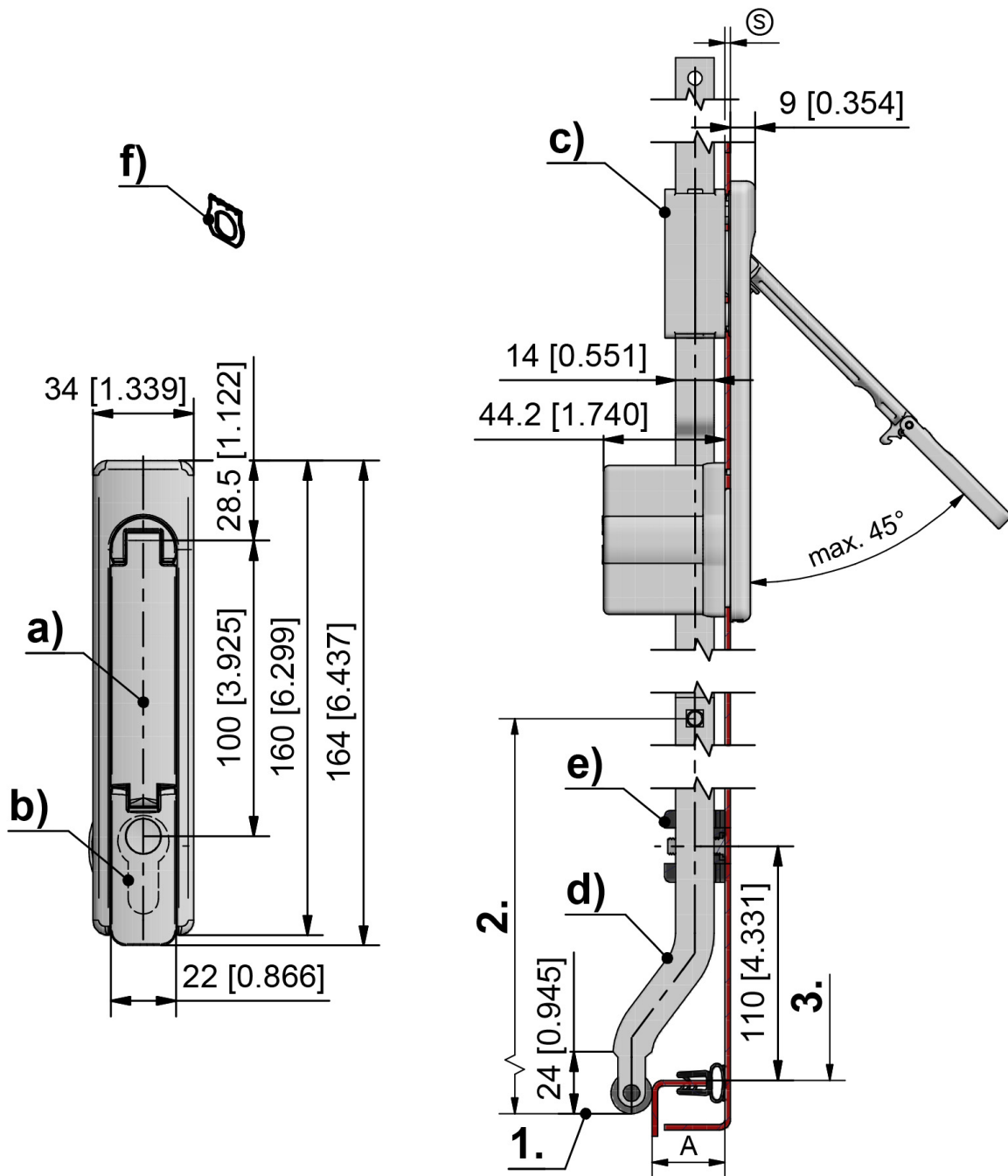
Interchangeable inserts for other locking devices on request.

Profile half cylinders and their assembly must be ordered separately.

1. stroke 24mm
2. length L
3. clearance

Swinghandle for profile cylinder

	Product number	Latching type	Surface	Delivery Unit
a)	307-9359.02-00000	for PHZ	black	1 pc.



Formula for rods with eye and rollers:
cutout in the door center (rod length varies)

upper rod

$$L = \frac{\text{clearance} - 12\text{mm}[0.472]}{2 [0.079]} - 50 \text{ mm} [1.969]$$

lower rod

$$L = \frac{\text{clearance} - 12\text{mm}[0.472]}{2 [0.079]} + 50 \text{ mm} [1.969]$$

cutout outside the door center (rod length equal)

$$L = \frac{\text{clearance} - 12\text{mm}[0.472]}{2 [0.079]}$$