

Concealed Hinge Pr03 120° Stainless Steel

7-165.01



Advantages

- For surface mounted doors.
- Hinge concealed.
- Door bending 23mm.
- RH / LH application.
- 120° Opening angle.
- Door-part screw-on and weld-on.
- Captive pin due to securing clip.
- Fire protection tested with E60 classification according to DIN EN 45545-3.

Material

- **Frame- and door-part, pin and fastening washer:** AISI 304
- **Securing clip:** POM, blue

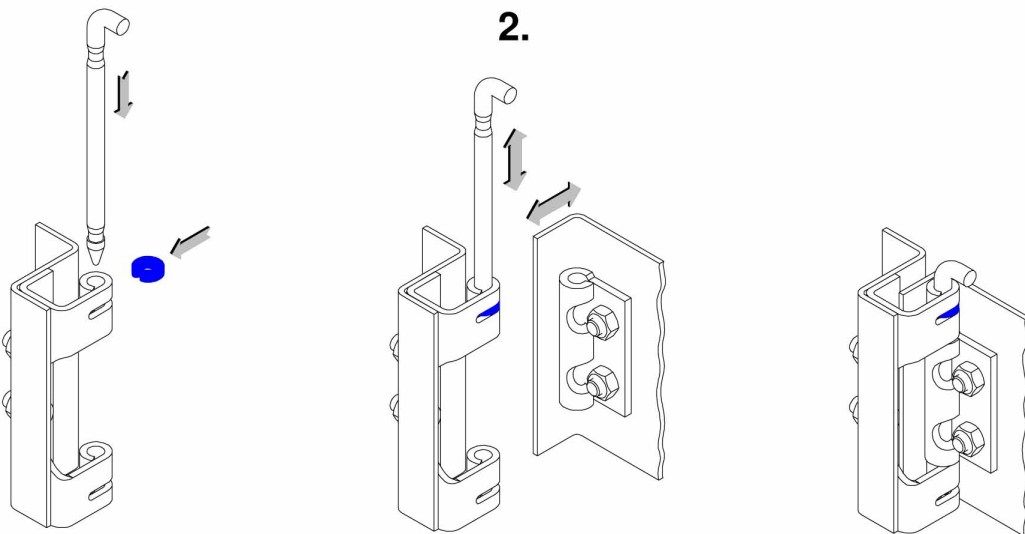
Remarks

1. installation instruction for fastening washer
2. installation of securing clip and mounting of the door-part in the frame-part

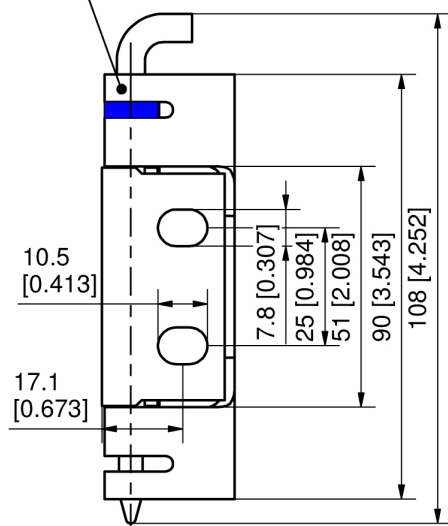


Concealed hinge

Product number	Frame-part	cutout in frame	Pin version	Delivery Unit
a) 243-9214.00-00000	with countersunk holes for M6	Ø6.3	self-locking	10 pcs.
b) 243-9216.00-00000	with countersunk holes for M6 + fastening washer	□8 or Ø10	self-locking	10 pcs.
c) 243-9215.00-00000	with studs for M6	Ø6.3	self-locking	10 pcs.
d) 243-9217.00-00000	with studs for M6 + fastening washer	□8 or Ø10	self-locking	10 pcs.



a), b)



c), d)

