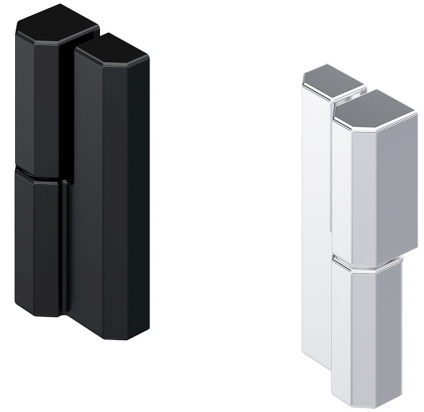


# Hinge Pr01/04 180°

4-345



## Advantages

- For nested or surface mounted doors.
- Hinge visible.
- RH and LH version.
- 180° Opening angle.
- Screw-on.
- The installation screws are concealed.
- Lift-off.

## Material

- **Hinge:** zinc die, glossy chrome plated or black
- **Pin cast-on:** zinc die
- **Spacer:** Teflon, black or white

## Remarks

1. spacer
2. example of application nested door - 180° opening angle
3. example of application surface mounted door - 135° opening angle

## Hinge, zinc die

Product number	Surface	Version	Pin version	Installation type	Delivery Unit
217-9503.00-00000	black	RH version	cast-on	screw-on	10 pcs.
217-9504.00-00000	black	LH version	cast-on	screw-on	10 pcs.
217-9505.00-00000	glossy chrome plated	RH version	cast-on	screw-on	10 pcs.
217-9506.00-00000	glossy chrome plated	LH version	cast-on	screw-on	10 pcs.

