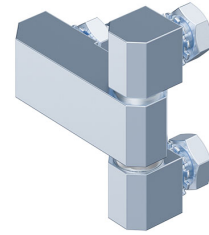


Hinge Pr01 180°

4-194



Advantages

- Screw-on hinge for flush door construction.
- For nested doors.
- Hinge visible.
- RH / LH application.
- 180° Opening angle.

Material

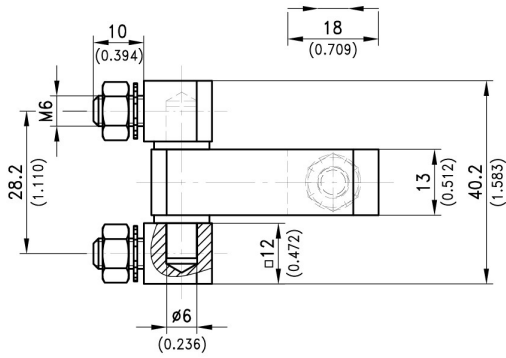
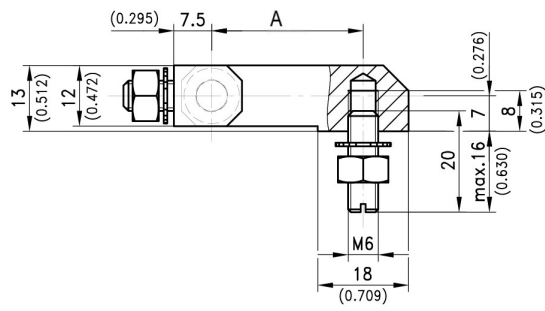
- **Hinge halves, pin, stud, nuts and serrated washers** : steel, zinc plated
- **Washers**: brass, nickel plated

Remarks

M6 stud, 3 nuts and serrated washers are included.

Hinge

	Product number	A	L	Pin version	Installation type	Delivery Unit
a)	219-9003.00-00000	30 mm	45 mm	loose	screw-on	10 pcs.
b)	219-9004.00-00000	38 mm	53 mm	loose	screw-on	10 pcs.



Examples of application

