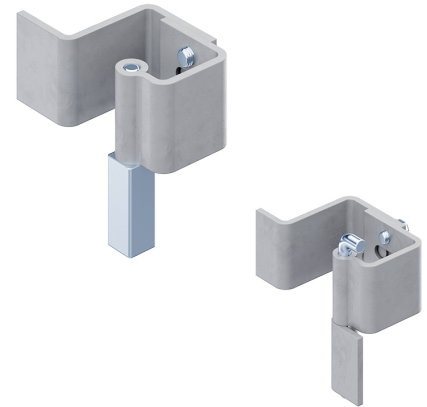


# Concealed Hinge Pr02 90°

4-100



## Advantages

- For nested doors.
- Hinge concealed.
- RH / LH application.
- 90° Opening angle.
- The 2 main hinge parts have a central guide to prevent door sagging.
- Horizontal adjustable.

## Material

- **Rolled frame-part:** steel, zinc plated
- **Z-part, hinge bolt, rolled door-part:** steel, untreated

## Remarks

1. adjustable

## Concealed hinge

	Product number	Pin version	Installation type	Delivery Unit
a)	222-9001.00-00000	loose	weld-on	1 pc.
b)	222-9101.00-00000	Pivot with □16	weld-on	1 pc.
c)	222-9103.00-00000	Pivot with flap	weld-on	1 pc.

