

Swinghandle RS PrC Self-locking

2-090.04



Advantages

- Swinghandle with liftable operating lever.
- 90° Closing rotation.
- Swinghandle can be locked by detents.
- IP65 according to DIN EN 60529 - version dish with cap.
- RH / LH application.
- Grounding by grounding nut (optional).

Material

- **Handle, dish and cap:** PA, black
- **Shaft:** brass
- **Bearing plate:** zinc die, untreated
- **Seals:** NBR

Remarks

(S) Door-thickness 1.5 - 2.5mm

Drawings for rod calculation (see accessories):

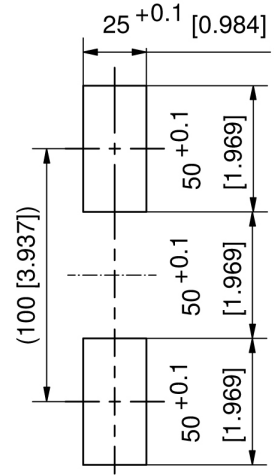
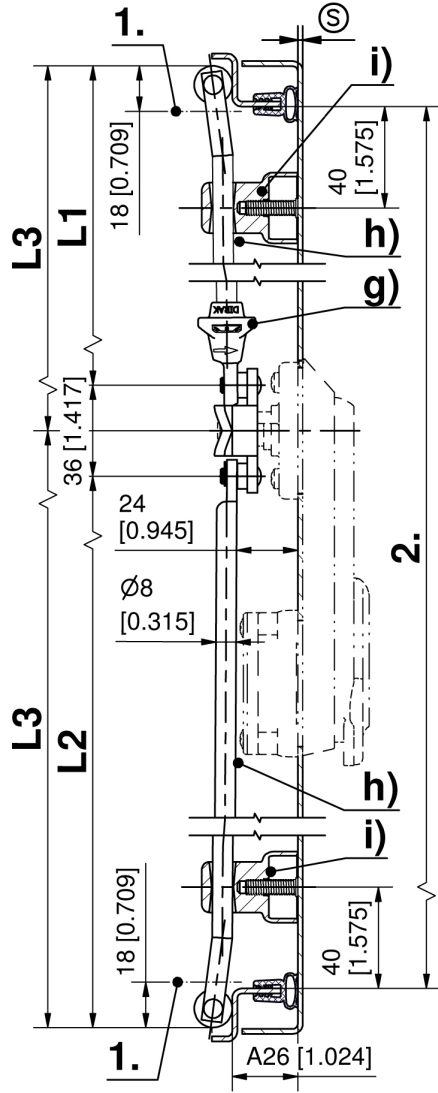
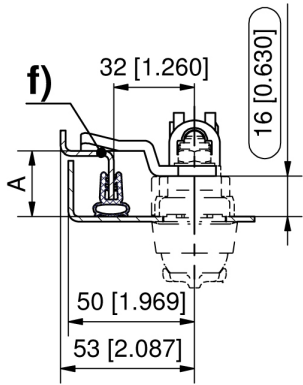
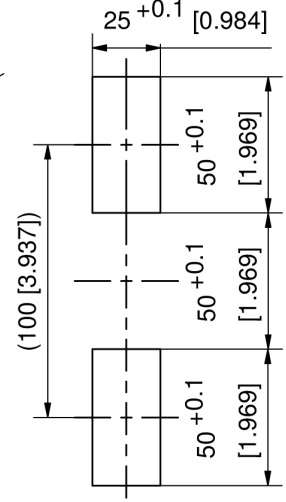
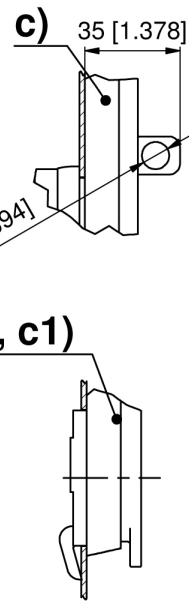
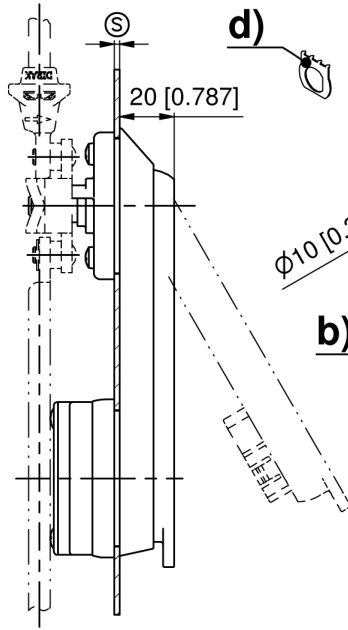
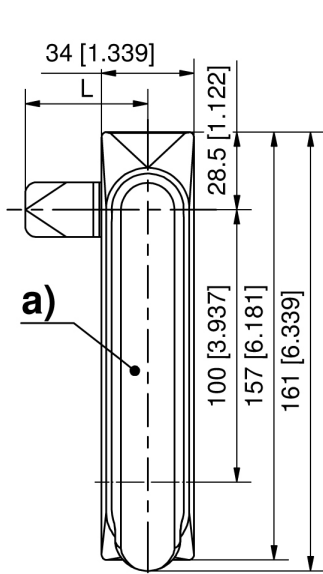
1. stroke 18mm
2. clearance

Alternative products see also 2-090, 2-090.01, 2-090.02, 2-090.03.



Swinghandle PA, self-locking, handle closed

	Product number	Dish	Padlock bolt	IP protection	Installation type	Delivery Unit
a)	107-9260.00-00000	with cap	-	IP65	screw-on	1 pc.
b)	107-9261.00-00000	with hook	-		screw-on	1 pc.
c)	107-9262.00-00000	with cap	Yes	IP65	screw-on	1 pc.
c1)	107-9263.00-00000	with hook	Yes		screw-on	1 pc.



Formula for rods with eye and rollers:
cutout in the door center (rod length varies)

$$L1 = \frac{\text{upper rod}}{2} = \frac{2 \cdot \text{clearance} - 12\text{mm}[0.472]}{2 [0.079]} - 50 \text{ mm} [1.969] \quad L2 = \frac{\text{lower rod}}{2} = \frac{2 \cdot \text{clearance} - 12\text{mm}[0.472]}{2 [0.079]} + 50 \text{ mm} [1.969]$$

cutout outside the door center (rod length equal)

$$L3 = \frac{2 \cdot \text{clearance} - 12\text{mm}[0.472]}{2[0.079]}$$