

Swinghandle RS PrC for Profile-Cylinder

2-090



Advantages

- Swinghandle with liftable operating lever.
- 90° Closing rotation.
- Swinghandle can be locked with profile-cylinders with 45° or 90° locking cam.
- The listed swinghandles, can be retrofitted with a sliding cap (product system 2-091).
- The sliding cap can be used for profile-cylinders from product system 2-140 and also for raised profile cylinders.
- IP65 according to DIN EN 60529 - version dish with cap.
- RH / LH application.
- Grounding by grounding clip (optional).

Material

- **Handle, dish and cylinder dustcover:** see table
- **Shaft:** brass
- **Bearing plate:** zinc die, untreated
- **Cap:** PA, black
- **Seals:** NBR

Remarks

(S) Door-thickness 1.5 - 2.5mm

Drawings for rod calculation (see accessories):

1. stroke 18mm
2. clearance

Profile cylinders and their assembly must be ordered separately.

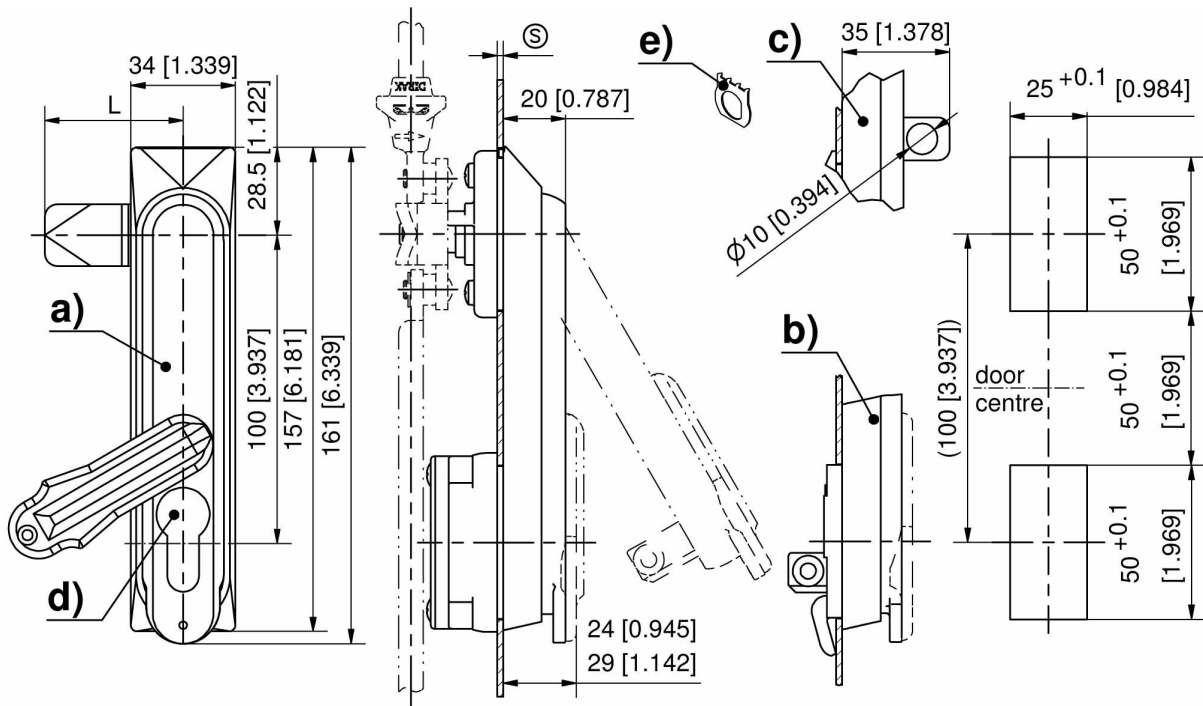
Screws M5x16 for fastening cylinder included.

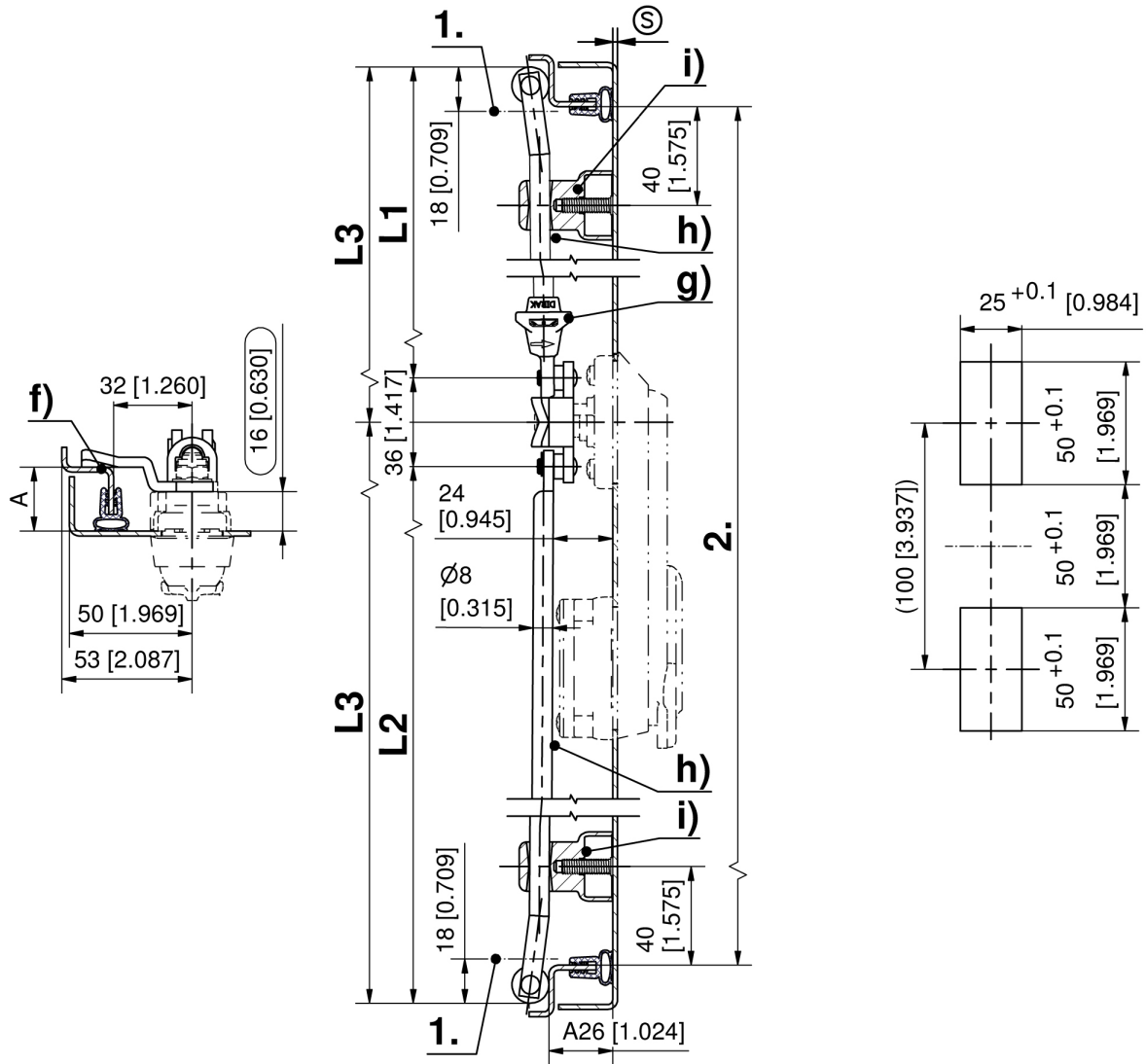
Alternative products see also 2-090.01, 2-090.02, 2-090.03, 2-090.04.

Swinghandle for profile cylinder

Product number	Latching type	Handle material	Surface handle	Dish material	Surface dish	Dish	IP protection	Cylinder cover material	Securable	Padlock bolt	Delivery Unit
a) 207-9282.00-00000	PHZ 40mm	PA	black	PA	black	with cap	IP65	-	-	-	1 pc.
a) 207-9283.00-00000	PHZ 40mm	PA	black	PA	black	with cap	IP65	PA	Yes	-	1 pc.
a) 207-9284.00-00000	PHZ 45mm	PA	black	PA	black	with cap	IP65	PA	Yes	-	1 pc.

Product number	Latching type	Handle material	Surface handle	Dish material	Surface dish	Dish	IP protection	Cylinder cover material	Securable	Padlock bolt	Delivery Unit
b) 107-9254.00-00000	PHZ 40mm	PA	black	PA	black	with hook		-	-	-	1 pc.
b) 107-9255.00-00000	PHZ 40mm	PA	black	PA	black	with hook		PA	Yes	-	1 pc.
a) 107-9226.00-00000	PHZ 40mm	zinc die	black	PA	black	with cap	IP65	-	-	-	1 pc.
a) 107-9227.00-00000	PHZ 40mm	zinc die	black	PA	black	with cap	IP65	PA	Yes	-	1 pc.
a) 107-9228.00-00000	PHZ 45mm	zinc die	black	PA	black	with cap	IP65	PA	Yes	-	1 pc.
c) 107-9282.00-00000	PHZ 40mm	zinc die	black	PA	black	with cap	IP65	-	-	Yes	1 pc.
a) 107-9225.00-00000	PHZ 40mm	zinc die	chrome plated	PA	black	with cap	IP65	-	-	-	1 pc.
a) 107-9208.00-00000	PHZ 40mm	zinc die	black	zinc die	black	with cap	IP65	zinc die	Yes	-	1 pc.





Formula for rods with eye and rollers:
cutout in the door center (rod length varies)

$$L1 = \frac{\text{upper rod}}{2} = \frac{2 \cdot \text{clearance} - 12\text{mm}[0.472]}{2 [0.079]} - 50 \text{ mm} [1.969] \quad L2 = \frac{\text{lower rod}}{2} = \frac{2 \cdot \text{clearance} - 12\text{mm}[0.472]}{2 [0.079]} + 50 \text{ mm} [1.969]$$

cutout outside the door center (rod length equal)

$$L3 = \frac{2 \cdot \text{clearance} - 12\text{mm}[0.472]}{2 [0.079]}$$