

# Swinghandle RS PrB

2-070



## Advantages

- Swinghandle TRIMLINE for cutout B.
- For round rods, for key cylinder, insert or padlock.
- Locking stub included in handle assembly.
- IP65 according to DIN EN 60529.
- RH / LH application.
- Grounding by grounding clip (optional).
- Key cylinders are supplied with 2 keys.

## Material

- **Swinghandle and dish:** see table
- **Padlock eye:** AISI 316
- **Cap:** PA, black
- **O-ring:** NBR

## Remarks

(S) Door-thickness 1.5 - 2.5mm

For version for rod latch and flat rods see product system 3-070.

Locking inserts must be ordered separately, see c) and d)

Drawings for rod calculation (see accessories):

1. stroke 18mm
2. clearance

## Swinghandle zinc die, with key cylinder

Product number	Latching type	Surface handle	Surface dish	Installation type	Delivery Unit
a) 407-9003.00-00000	keyed alike DIRAK 1333	black	black	screw-on	1 pc.
a) 407-9007.00-00000	keyed alike DIRAK 1333	chrome plated	chrome plated	screw-on	1 pc.
a) 407-9011.00-00000	keyed alike DIRAK 1333	chrome plated	black	screw-on	1 pc.

	Product number	Latching type	Surface handle	Surface dish	Installation type	Delivery Unit
a)	407-9017.00-00000	keyed alike DIRAK 1333	black	chrome plated	screw-on	1 pc.
a)	507-9003.00-00000	keyed alike DS200	black	black	screw-on	1 pc.
a)	507-9007.00-00000	keyed alike DS200	chrome plated	chrome plated	screw-on	1 pc.
a)	507-9011.00-00000	keyed alike DS200	chrome plated	black	screw-on	1 pc.
a)	507-9017.00-00000	keyed alike DS200	black	chrome plated	screw-on	1 pc.
a)	407-9008.00-00000	keyed different	chrome plated	chrome plated	screw-on	1 pc.
a)	407-9004.00-00000	keyed different	black	black	screw-on	1 pc.
a)	407-9012.00-00000	keyed different	chrome plated	black	screw-on	1 pc.
a)	407-9018.00-00000	keyed different	black	chrome plated	screw-on	1 pc.

## Swinghandle zinc die, dish PA with key cylinder

	Product number	Latching type	Surface handle	Surface dish	Installation type	Delivery Unit
a)	407-9023.00-00000	keyed alike DIRAK 1333	black	black	screw-on	1 pc.
a)	407-9027.00-00000	keyed alike DIRAK 1333	chrome plated	black	screw-on	1 pc.
a)	507-9023.00-00000	keyed alike DS200	black	black	screw-on	1 pc.
a)	507-9027.00-00000	keyed alike DS200	chrome plated	black	screw-on	1 pc.
a)	407-9024.00-00000	keyed different	black	black	screw-on	1 pc.
a)	407-9028.00-00000	keyed different	chrome plated	black	screw-on	1 pc.

## Swinghandle zinc die, with key cylinder and padlock eye

	Product number	Latching type	Surface handle	Surface dish	Installation type	Delivery Unit
b)	407-9029.00-00000	keyed alike DIRAK 1333	chrome plated	chrome plated	screw-on	1 pc.
b)	407-9031.00-00000	keyed alike DIRAK 1333	black	black	screw-on	1 pc.
b)	407-9030.00-00000	keyed different	chrome plated	chrome plated	screw-on	1 pc.
b)	407-9032.00-00000	keyed different	black	black	screw-on	1 pc.

## Swinghandle zinc die for insert

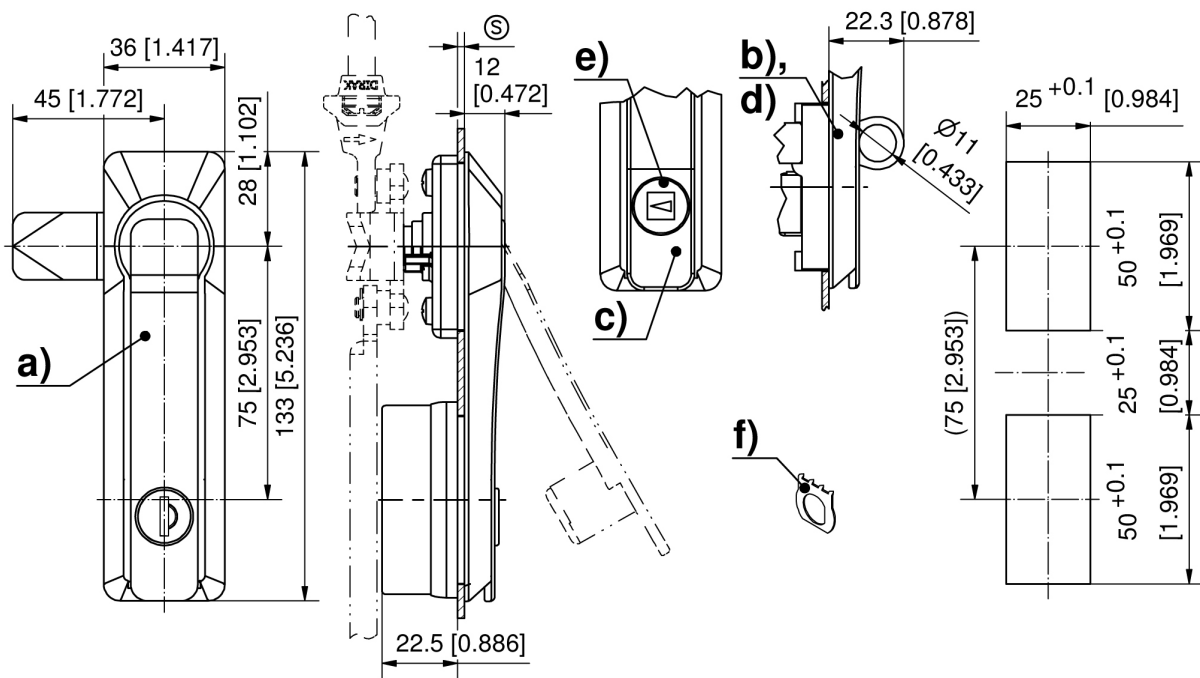
	Product number	Surface handle	Surface dish	Installation type	Delivery Unit
c)	407-9102.00-00000	black	black	screw-on	1 pc.
c)	407-9104.00-00000	chrome plated	chrome plated	screw-on	1 pc.
c)	407-9106.00-00000	chrome plated	black	screw-on	1 pc.
c)	407-9108.00-00000	black	chrome plated	screw-on	1 pc.

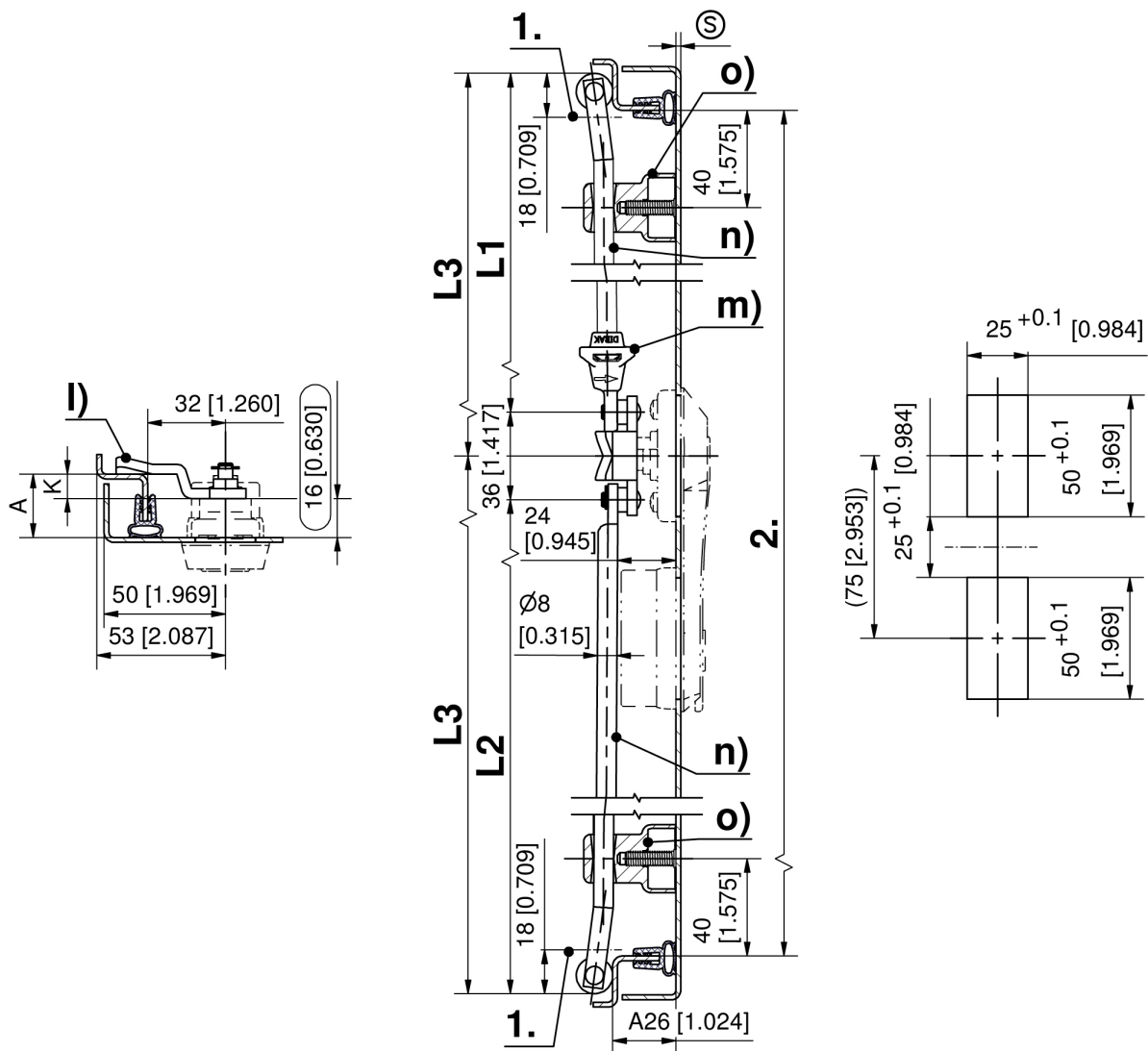
## Swinghandle zinc die, dish PA for insert

	Product number	Surface handle	Surface dish	Installation type	Delivery Unit
c)	407-9118.00-00000	black	black	screw-on	1 pc.
c)	407-9120.00-00000	chrome plated	black	screw-on	1 pc.

## Swinghandle zinc die for insert and padlock eye

	Product number	Surface handle	Dish material	Surface dish	Installation type	Delivery Unit
d)	407-9109.00-00000	chrome plated	zinc die	chrome plated	screw-on	1 pc.
d)	407-9110.00-00000	black	zinc die	black	screw-on	1 pc.
d)	407-9111.00-00000	black	zinc die	chrome plated	screw-on	1 pc.
d)	407-9112.00-00000	chrome plated	zinc die	black	screw-on	1 pc.
d)	407-9121.00-00000	black	PA	black	screw-on	1 pc.
d)	407-9122.00-00000	chrome plated	PA	black	screw-on	1 pc.





Formula for rods with eye and rollers:  
cutout in the door center (rod length varies)

$$L1 = \frac{\text{upper rod}}{2} = \frac{2 \cdot \text{clearance} - 12\text{mm}[0.472]}{2 [0.079]} - 38 \text{ mm} [1.496] \quad L2 = \frac{\text{lower rod}}{2} = \frac{2 \cdot \text{clearance} - 12\text{mm}[0.472]}{2 [0.079]} + 38 \text{ mm} [1.496]$$

cutout outside the door center (rod length equal)

$$L3 = \frac{2 \cdot \text{clearance} - 12\text{mm}[0.472]}{2 [0.079]}$$