

Compression Latch Pr20.1 L22/32 Stainless Steel

7-079.01



Advantages

- Compression 6mm.
- Flat head shape.
- The coloured marking on the casing top indicates the opened/closed position in form of a padlock.
- Insert with coloured marking.
- Vibration-proof.
- IP65/67 according to DIN EN 60529 and IP69K according to DIN 40050.
- RH and LH version.
- Grounding by single-sided grounding nut.
- The H-dimension can be varied via the cranking of the cams.

Material

- **Housing, insert, threaded square rod and grounding nut:** AISI 316
- **Serrated washer and nuts:** AISI 304

Remarks

(S) Door-thickness max. 12mm for GL22

(S) Door-thickness max. 22mm for GL32

Please configure the quarter-turn with a cam.

Negatively bent cams can not be installed pre-assembled.

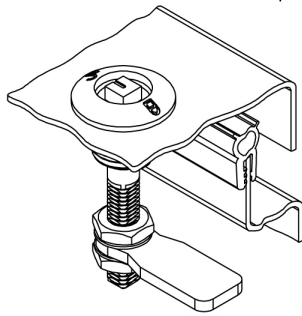
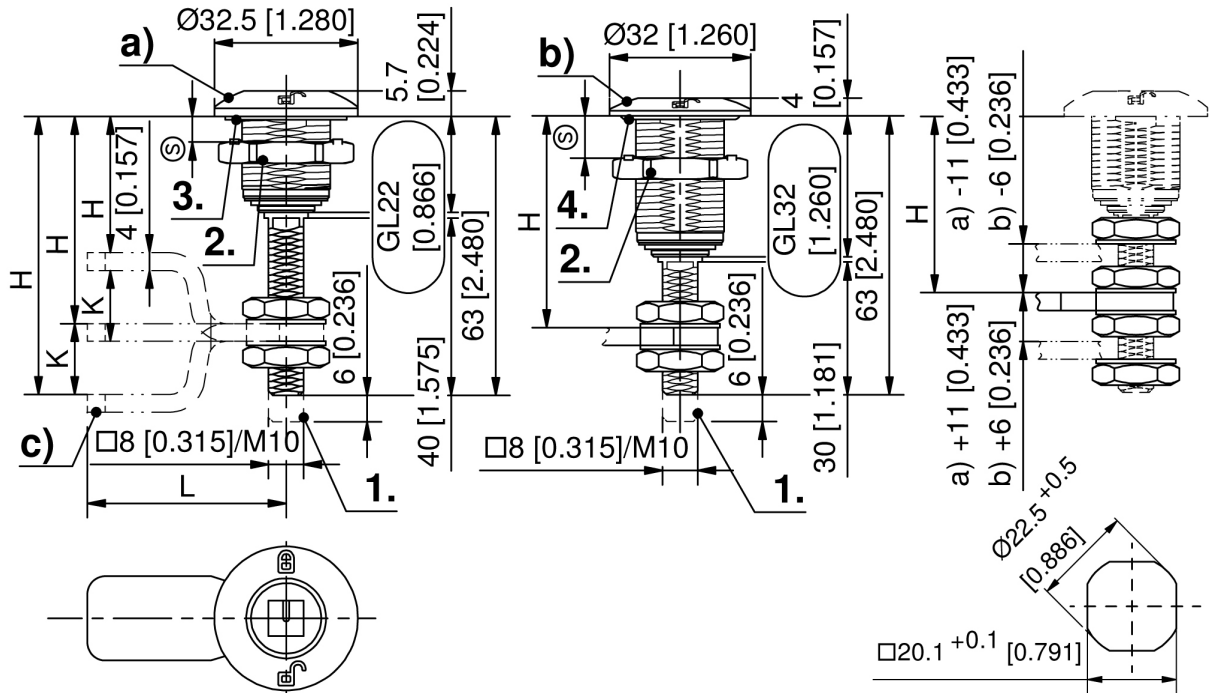
1. compression 6mm
2. single-sided grounding nut
3. flat external seal
4. GL 32mm with foamed sealing PUR

Compression Latch with insert, version RH, closing left

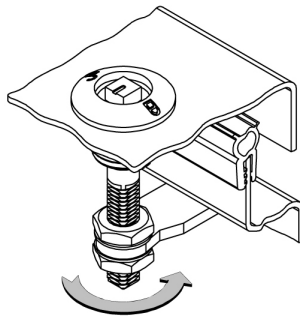
	Product number	Insert	Housing length	Door-thickness (S)	Installation type	Delivery Unit
a)	248-9044.00-03008	Square 8mm	22 mm	0 mm - 12 mm	screw-on	1 pc.
a)	248-9044.00-06008	Triangular 8mm	22 mm	0 mm - 12 mm	screw-on	1 pc.
a)	248-9044.00-09003	Double bit 3mm pin	22 mm	0 mm - 12 mm	screw-on	1 pc.
a)	248-9044.00-07007	Conical square 9mm	22 mm	0 mm - 12 mm	screw-on	1 pc.
b)	248-9200.00-00000	Square 6mm	32 mm	0 mm - 22 mm	screw-on	1 pc.
b)	248-9201.00-00000	Square 7mm	32 mm	0 mm - 22 mm	screw-on	1 pc.
b)	248-9202.00-00000	Square 8mm	32 mm	0 mm - 22 mm	screw-on	1 pc.
b)	248-9203.00-00000	Double bit 3mm pin	32 mm	0 mm - 22 mm	screw-on	1 pc.
b)	248-9204.00-00000	Double bit 5mm pin	32 mm	0 mm - 22 mm	screw-on	1 pc.
b)	248-9205.00-00000	Triangular 6.5mm	32 mm	0 mm - 22 mm	screw-on	1 pc.
b)	248-9206.00-00000	Triangular 7mm	32 mm	0 mm - 22 mm	screw-on	1 pc.
b)	248-9207.00-00000	Triangular 8mm	32 mm	0 mm - 22 mm	screw-on	1 pc.
b)	248-9208.00-00000	Conical square 9mm	32 mm	0 mm - 22 mm	screw-on	1 pc.
b)	248-9209.00-00000	Hex. SW 11	32 mm	0 mm - 22 mm	screw-on	1 pc.
b)	248-9210.00-00000	konischer Dreikant spitz, 7mm	32 mm	0 mm - 22 mm	screw-on	1 pc.

Compression Latch with insert, version LH, closing right

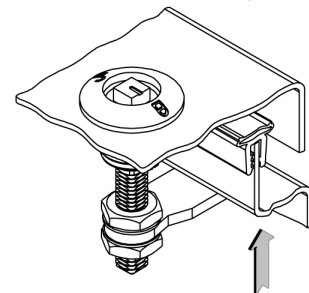
	Product number	Insert	Housing length	Door-thickness (S)	Installation type	Delivery Unit
a)	248-9045.00-03008	Square 8mm	22 mm	0 mm - 12 mm	screw-on	1 pc.
a)	248-9045.00-06008	Triangular 8mm	22 mm	0 mm - 12 mm	screw-on	1 pc.
a)	248-9045.00-09003	Double bit 3mm pin	22 mm	0 mm - 12 mm	screw-on	1 pc.
a)	248-9045.00-07007	Conical square 9mm	22 mm	0 mm - 12 mm	screw-on	1 pc.
b)	248-9250.00-00000	Square 6mm	32 mm	0 mm - 22 mm	screw-on	1 pc.
b)	248-9251.00-00000	Square 7mm	32 mm	0 mm - 22 mm	screw-on	1 pc.
b)	248-9252.00-00000	Square 8mm	32 mm	0 mm - 22 mm	screw-on	1 pc.
b)	248-9253.00-00000	Double bit 3mm pin	32 mm	0 mm - 22 mm	screw-on	1 pc.
b)	248-9254.00-00000	Double bit 5mm pin	32 mm	0 mm - 22 mm	screw-on	1 pc.
b)	248-9255.00-00000	Triangular 6.5mm	32 mm	0 mm - 22 mm	screw-on	1 pc.
b)	248-9256.00-00000	Triangular 7mm	32 mm	0 mm - 22 mm	screw-on	1 pc.
b)	248-9257.00-00000	Triangular 8mm	32 mm	0 mm - 22 mm	screw-on	1 pc.
b)	248-9258.00-00000	Conical square 9mm	32 mm	0 mm - 22 mm	screw-on	1 pc.
b)	248-9259.00-00000	Hex. SW 11	32 mm	0 mm - 22 mm	screw-on	1 pc.
b)	248-9260.00-00000	konischer Dreikant spitz, 7mm	32 mm	0 mm - 22 mm	screw-on	1 pc.



open, unlatched position



First 90° rotation: the cam latches behind the frame into the locked position. The door cannot be opened.



A further 90° rotation will pull the already latched cam towards the frame: the seal is compressed, the door is latched and free of play.