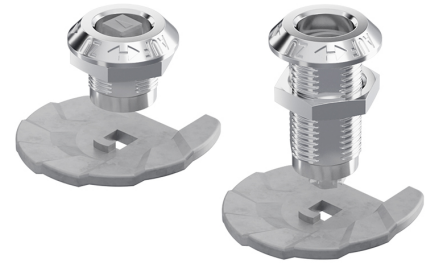


Quarter-Turn with Stepped Cam Pr20.1 L18-60

1-200



Advantages

- Quarter-turn for large tolerances and greater compression possibilities.
- The locking direction is always clockwise.
- When installed, the arrow must point to the frame. In this case the flat side of the cam is parallel to the frame.
- Marking of housing -" Auf/Zu" (Open/Closed).
- GL18: IP65 according to DIN EN 60529 by sealing kit (optional).
- GL30 - GL60: IP65/67 according to DIN EN 60529 by sealing kit (optional).
- RH / LH application.
- Housing extension f) for increasing the housing length by 5mm.

Material

- **Housing:** zinc die, chrome plated
- **Nut:** steel, zinc plated
- **Adapter, stepped cam and housing extension:** zinc die, untreated

Remarks

(S) Door-thickness see table

Sealing kit g) for GL18: 209-9002

Sealing kit h) from GL30: 209-9006

When using knobs the adapter is necessary.

Please configure the quarter-turn with insert and cam.

1. arrow pointing towards frame

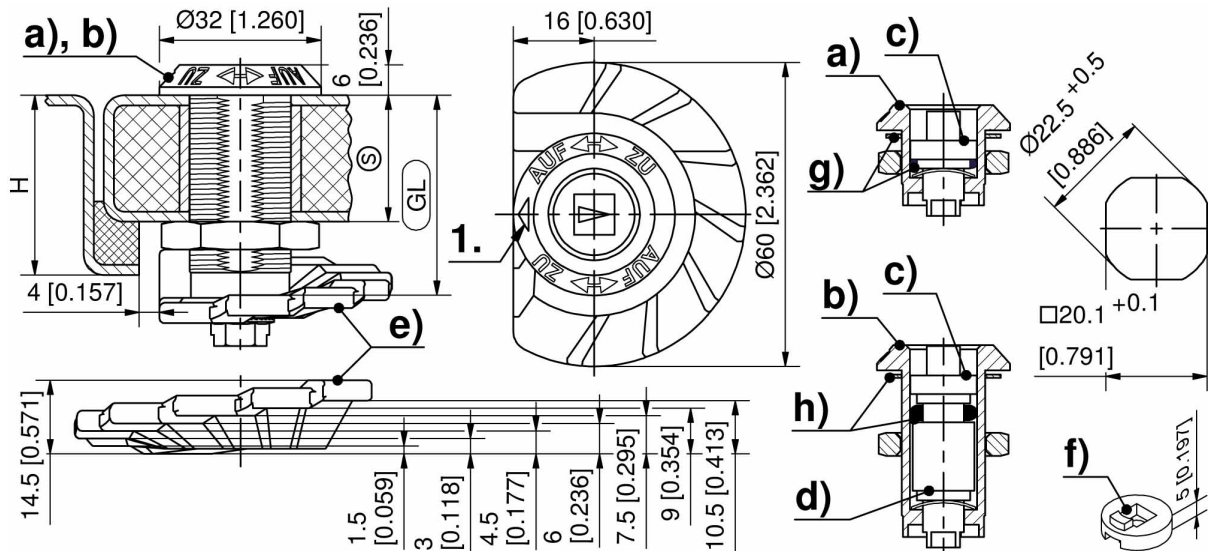
Quarter-Turn housing

Product number	Housing length	Door-thickness (S)	variable H-dimension	suitable Adapter set	Installation type	Delivery Unit
a) 200-9038.00-00000	18 mm	0 mm - 8 mm	8 mm - 18 mm		screw-on	10 pcs.
b) 200-9039.00-00000	30 mm	0 mm - 20 mm	20 mm - 30 mm	L20	screw-on	10 pcs.
b) 200-9040.00-00000	36 mm	0 mm - 26 mm	26 mm - 36 mm	L26	screw-on	10 pcs.
b) 200-9041.00-00000	40 mm	0 mm - 30 mm	30 mm - 40 mm	L30	screw-on	10 pcs.

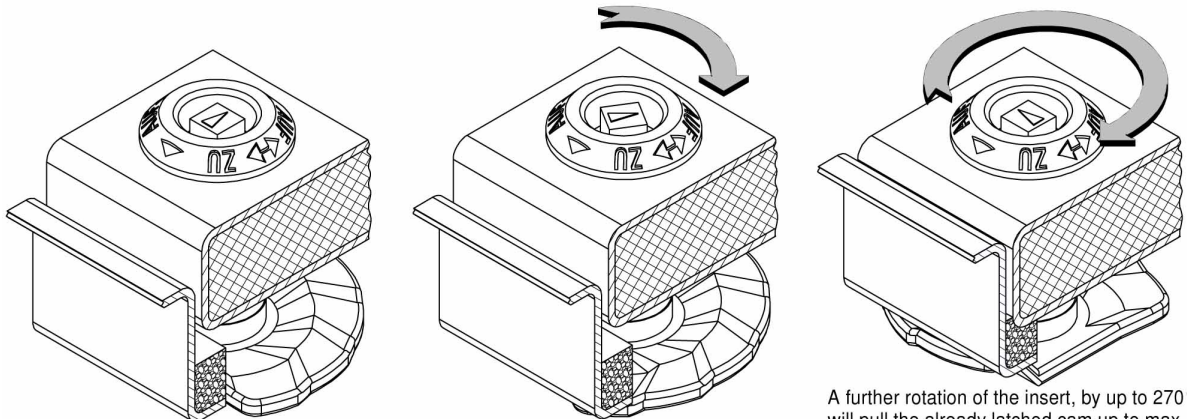
Product number	Housing length	Door-thickness (S)	variable H-dimension	suitable Adapter set	Installation type	Delivery Unit
b) 200-9042.00-00000	50 mm	0 mm - 40 mm	40 mm - 50 mm	L40	screw-on	10 pcs.
b) 200-9047.00-00000	60 mm	0 mm - 50 mm	50 mm - 60 mm	L50	screw-on	10 pcs.

Stepped cam

Product number	Stop	Delivery Unit
e) 200-2903.00-00000	No	10 pcs.
e) 200-2904.00-00000	Yes	10 pcs.



Operation



open, unlatched position

First rotation of the insert: the cam latches behind the frame into the locked position.

A further rotation of the insert, by up to 270°, will pull the already latched cam up to max. 10.5mm [0.413] towards the frame: the seal is compressed, the door is latched and free of play.