

Quarter-Turn with L-Handle for Padlock Pr20.1 L18/40

1-154



Advantages

- For cutout 20.1.
- IP65 according to DIN EN 60529.
- RH / LH application.
- Grounding by grounding nut.
- On request parts can be assembled by DIRAK.
- The L-handle can be screwed into the cutout with the pre-assembled cam.

Material

- **L-handle:** zinc die, chrome plated or black
- **Housing:** zinc die, zinc plated
- **Grounding nut:** zinc die
- **O-Ring:** NBR

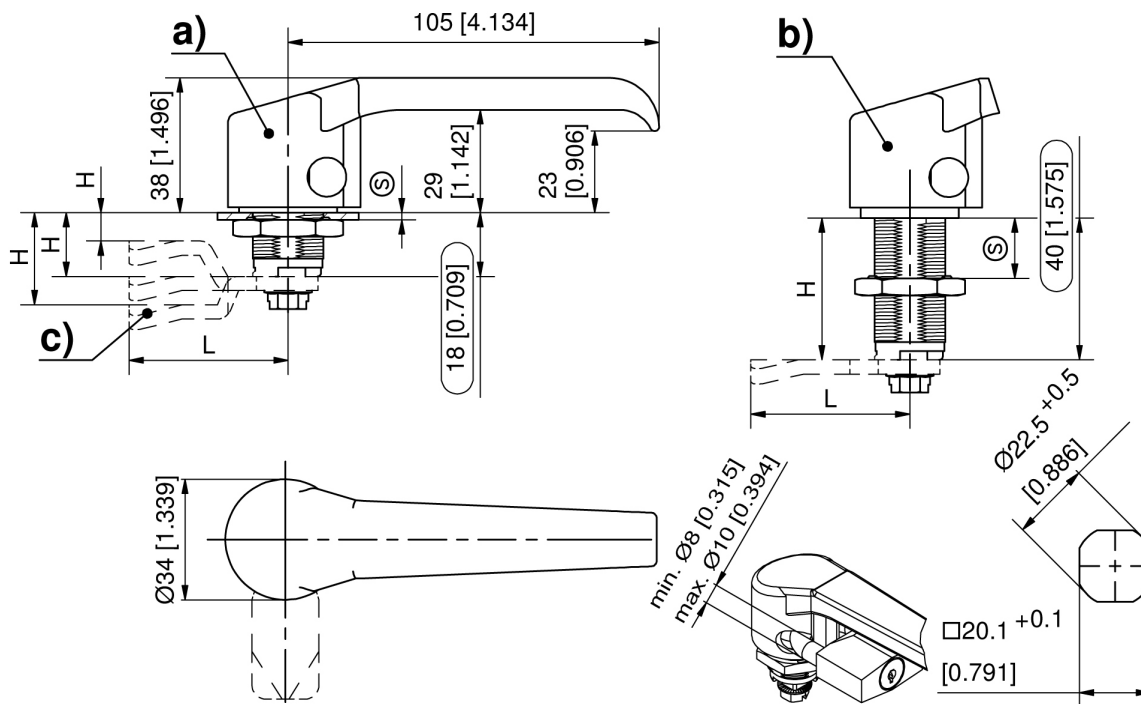
Remarks

(S) Door-thickness see table

Please configure the quarter-turn with a cam.
Padlock feature only if cam is at 90° to the L-handle.

Quarter-Turn with L-handle for padlock

Product number	Surface	Version	Housing length	Door-thickness (S)	Installation type	Delivery Unit
a) 200-9463.00-00000	chrome plated	glossy	18 mm	0 mm - 8 mm	screw-on	1 pc.
a) 200-9464.00-00000	black	Smooth coating	18 mm	0 mm - 8 mm	screw-on	1 pc.
a) 200-9464.TX-00000	black	Textured coating	18 mm	0 mm - 8 mm	screw-on	1 pc.
b) 200-9491.00-00000	chrome plated	glossy	40 mm	0 mm - 30 mm	screw-on	1 pc.
b) 200-9492.00-00000	black	Smooth coating	40 mm	0 mm - 30 mm	screw-on	1 pc.
b) 200-9492.TX-00000	black	Textured coating	40 mm	0 mm - 30 mm	screw-on	1 pc.



Einbauanleitung für 1-154 und 154.01 / installation instructions for 1-154 and 154.01

Einbaustellung des Gehäuses, gesehen von der Türseite, bei: / fitting position of housing, seen from outside of the door, at:

