

# DST Compression Latch Pr32x20 L22/28

1-081DST



## Advantages

- Flush quarter-turn for snap-in installation into cutout 32x20.1mm.
- Rectangular cutout guarantees a perfect alignment.
- High transmission ratio with high contact pressure due to planetary gear.
- Vibration-proof according to DIN EN 61373.
- IP65 according to DIN EN 60529.
- RH / LH application, does not need to be converted when the door is changed.
- The compression latch can be snapped-in into the cutout as a completely pre-assembled unit.
- Tool-less installation.
- Blind installation.
- Rolling friction by cam with POM-roller.

## Material

- **Housing and insert:** zinc die, chrome plated
- **Cam:** zinc die, zinc plated
- **Snap wedges:** sintered steel
- **Spring:** spring steel
- **Washer:** steel, zinc plated
- **Roller:** POM, matte black
- **Cover:** PA6, black
- **O-ring:** NBR, black
- **Collar screw:** steel

## Remarks

Closing and opening operation 180°, left and right turning, positive detent in closed and open position.

1. compression 10 - 20mm
2. o-ring

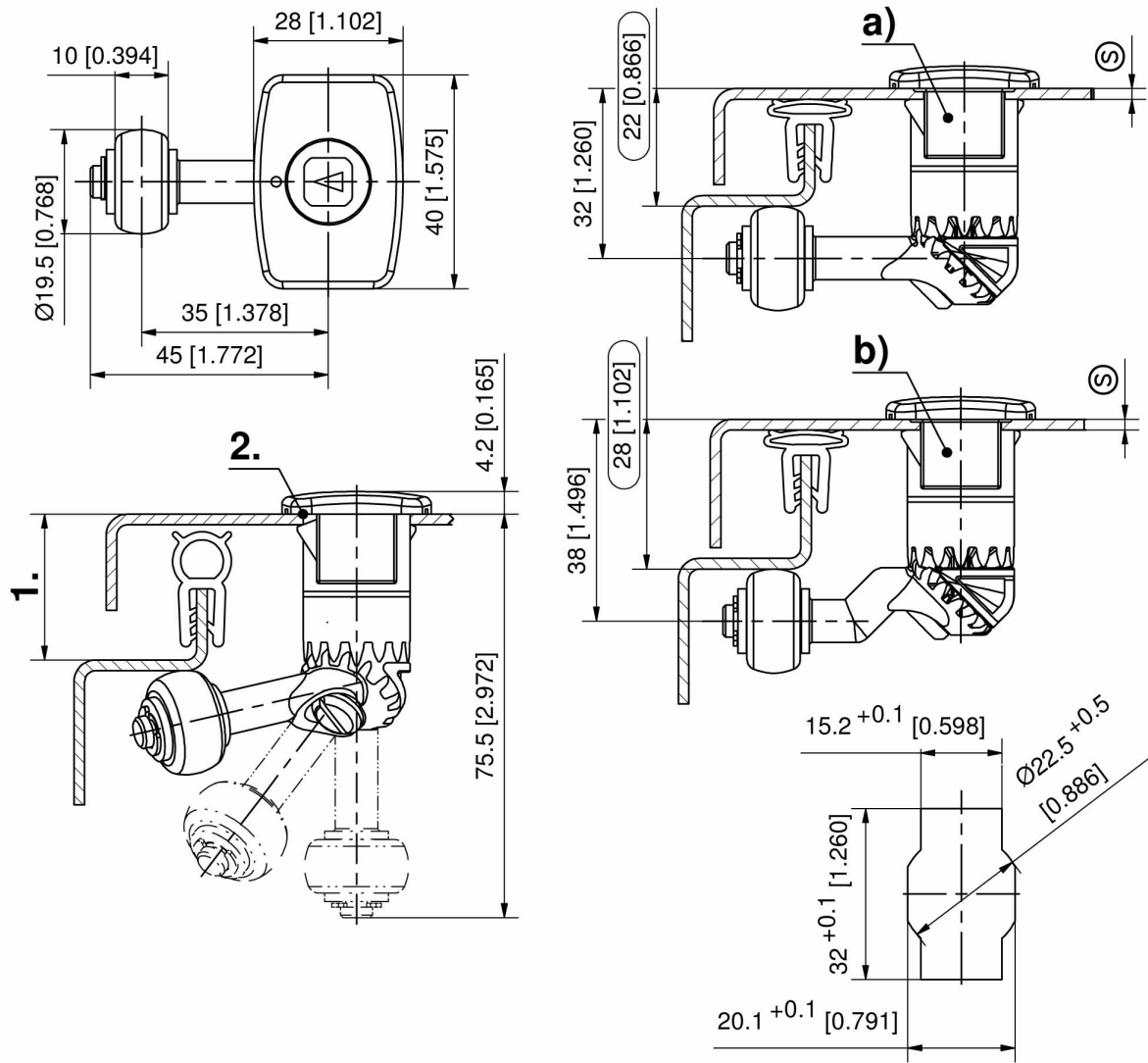
## Compression Latch with insert, bending 22

	Product number	Insert	Clamping range (S)	Installation type	Delivery Unit
a)	448-9101.00-01012	Square 8mm	0.8 mm - 1.5 mm	tool-less	1 pc.
a)	448-9101.00-01016	Square 8mm	1.3 mm - 2 mm	tool-less	1 pc.
a)	448-9101.00-01020	Square 8mm	1.8 mm - 2.5 mm	tool-less	1 pc.
a)	448-9101.00-01026	Square 8mm	2.3 mm - 3 mm	tool-less	1 pc.

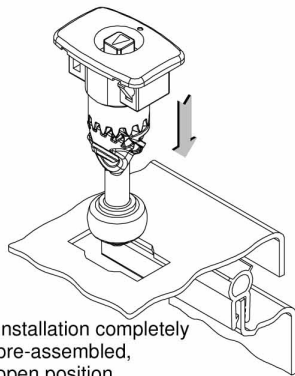
	Product number	Insert	Clamping range (S)	Installation type	Delivery Unit
a)	448-9101.00-01031	Square 8mm	2.8 mm - 3.5 mm	tool-less	1 pc.
a)	448-9101.00-02012	Double bit 3mm pin	0.8 mm - 1.5 mm	tool-less	1 pc.
a)	448-9101.00-02016	Double bit 3mm pin	1.3 mm - 2 mm	tool-less	1 pc.
a)	448-9101.00-02020	Double bit 3mm pin	1.8 mm - 2.5 mm	tool-less	1 pc.
a)	448-9101.00-02026	Double bit 3mm pin	2.3 mm - 3 mm	tool-less	1 pc.
a)	448-9101.00-02031	Double bit 3mm pin	2.8 mm - 3.5 mm	tool-less	1 pc.
a)	448-9101.00-03012	Double bit 5mm pin	0.8 mm - 1.5 mm	tool-less	1 pc.
a)	448-9101.00-03016	Double bit 5mm pin	1.3 mm - 2 mm	tool-less	1 pc.
a)	448-9101.00-03020	Double bit 5mm pin	1.8 mm - 2.5 mm	tool-less	1 pc.
a)	448-9101.00-03026	Double bit 5mm pin	2.3 mm - 3 mm	tool-less	1 pc.
a)	448-9101.00-03031	Double bit 5mm pin	2.8 mm - 3.5 mm	tool-less	1 pc.

## Compression Latch with insert, bending 28

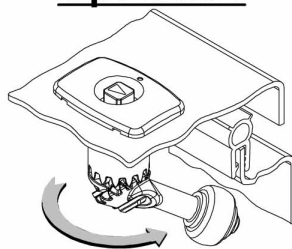
	Product number	Insert	Clamping range (S)	Installation type	Delivery Unit
b)	448-9102.00-01012	Square 8mm	0.8 mm - 1.5 mm	tool-less	1 pc.
b)	448-9102.00-01016	Square 8mm	1.3 mm - 2 mm	tool-less	1 pc.
b)	448-9102.00-01020	Square 8mm	1.8 mm - 2.5 mm	tool-less	1 pc.
b)	448-9102.00-01026	Square 8mm	2.3 mm - 3 mm	tool-less	1 pc.
b)	448-9102.00-01031	Square 8mm	2.8 mm - 3.5 mm	tool-less	1 pc.
b)	448-9102.00-02012	Double bit 3mm pin	0.8 mm - 1.5 mm	tool-less	1 pc.
b)	448-9102.00-02016	Double bit 3mm pin	1.3 mm - 2 mm	tool-less	1 pc.
b)	448-9102.00-02020	Double bit 3mm pin	1.8 mm - 2.5 mm	tool-less	1 pc.
b)	448-9102.00-02026	Double bit 3mm pin	2.3 mm - 3 mm	tool-less	1 pc.
b)	448-9102.00-02031	Double bit 3mm pin	2.8 mm - 3.5 mm	tool-less	1 pc.
b)	448-9102.00-03012	Double bit 5mm pin	0.8 mm - 1.5 mm	tool-less	1 pc.
b)	448-9102.00-03016	Double bit 5mm pin	1.3 mm - 2 mm	tool-less	1 pc.
b)	448-9102.00-03020	Double bit 5mm pin	1.8 mm - 2.5 mm	tool-less	1 pc.
b)	448-9102.00-03026	Double bit 5mm pin	2.3 mm - 3 mm	tool-less	1 pc.
b)	448-9102.00-03031	Double bit 5mm pin	2.8 mm - 3.5 mm	tool-less	1 pc.



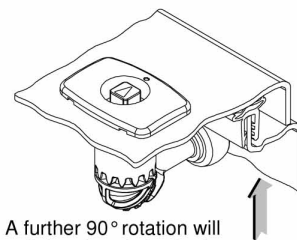
**Operation**



Installation completely pre-assembled, open position.



First 90° rotation: the cam latches behind the frame into the locked position. The door cannot be opened.



A further 90° rotation will pull the already latched cam towards the frame around approx. 20mm [0.787]: the seal is compressed, the door is latched and free of play.