

# Compression Latch Pr20.1

1-077



## Advantages

- Compression 6.5mm.
- Low profile design.
- The coloured marking on the casing top represents the opened/closed position in form of a padlock.
- Vibration-proof.
- IP65 according to DIN EN 60529.
- RH and LH version.
- Grounding by single-sided grounding nut.
- With fixed H-dimension (depending on cam).
- The compression latch will be screwed into the cutout with the pre-assembled cam.



## Material

- **Housing, insert and cam:** zinc die, chrome plated
- **Grounding nut:** zinc die, untreated
- **Plug:** PA6, black
- **O-rings and flat external seal:** NBR
- **Serrated lock washer:** steel, zinc plated

## Remarks

(S) Door-thickness pre-assembled max. 2.5mm

1. flat external seal
2. ramp raduis
3. stroke

## Compression Latch with insert, version RH, closing left

Product number	H-dimension	Insert	Installation type	Delivery Unit
248-9303.00-00022	22 mm	Square 8mm	screw-on	1 pc.

Product number	H-dimension	Insert	Installation type	Delivery Unit
248-9303.00-00024	24 mm	Square 8mm	screw-on	1 pc.
248-9303.00-00026	26 mm	Square 8mm	screw-on	1 pc.
248-9303.00-00028	28 mm	Square 8mm	screw-on	1 pc.
248-9303.00-00038	38 mm	Square 8mm	screw-on	1 pc.
248-9308.00-00022	22 mm	Triangular 8mm	screw-on	1 pc.
248-9308.00-00024	24 mm	Triangular 8mm	screw-on	1 pc.
248-9308.00-00026	26 mm	Triangular 8mm	screw-on	1 pc.
248-9308.00-00028	28 mm	Triangular 8mm	screw-on	1 pc.
248-9308.00-00038	38 mm	Triangular 8mm	screw-on	1 pc.

### Compression Latch with insert, version LH, closing right

Product number	H-dimension	Insert	Installation type	Delivery Unit
248-9353.00-00022	22 mm	Square 8mm	screw-on	1 pc.
248-9353.00-00024	24 mm	Square 8mm	screw-on	1 pc.
248-9353.00-00026	26 mm	Square 8mm	screw-on	1 pc.
248-9353.00-00028	28 mm	Square 8mm	screw-on	1 pc.
248-9353.00-00038	38 mm	Square 8mm	screw-on	1 pc.
248-9358.00-00022	22 mm	Triangular 8mm	screw-on	1 pc.
248-9358.00-00024	24 mm	Triangular 8mm	screw-on	1 pc.
248-9358.00-00026	26 mm	Triangular 8mm	screw-on	1 pc.
248-9358.00-00028	28 mm	Triangular 8mm	screw-on	1 pc.
248-9358.00-00038	38 mm	Triangular 8mm	screw-on	1 pc.

### Compression Latch with insert and washer, version RH, closing left

Product number	H-dimension	Insert	Installation type	Delivery Unit
248-9309.00-00022	22 mm	Conical square 9mm	screw-on	1 pc.
248-9309.00-00024	24 mm	Conical square 9mm	screw-on	1 pc.
248-9309.00-00026	26 mm	Conical square 9mm	screw-on	1 pc.
248-9309.00-00028	28 mm	Conical square 9mm	screw-on	1 pc.
248-9309.00-00038	38 mm	Conical square 9mm	screw-on	1 pc.

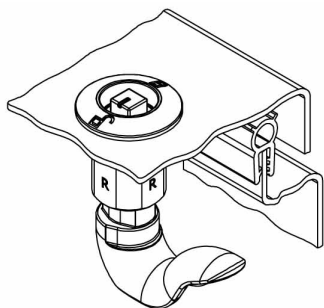
### Compression Latch with insert and washer, version LH, closing right

Product number	H-dimension	Insert	Installation type	Delivery Unit
248-9359.00-00022	22 mm	Conical square 9mm	screw-on	1 pc.
248-9359.00-00024	24 mm	Conical square 9mm	screw-on	1 pc.
248-9359.00-00026	26 mm	Conical square 9mm	screw-on	1 pc.

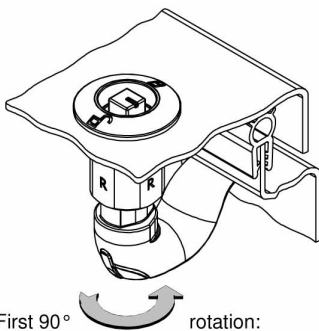
---

Product number	H-dimension	Insert	Installation type	Delivery Unit
248-9359.00-00028	28 mm	Conical square 9mm	screw-on	1 pc.
248-9359.00-00038	38 mm	Conical square 9mm	screw-on	1 pc.

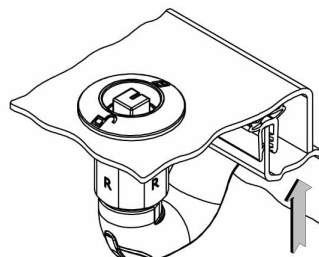
---



open, unlatched position



First 90° rotation:  
the frame into the locked position.  
The door cannot be opened.



A further 90° rotation will pull the already latched cam 6.5mm [0.256] towards the frame: the seal is compressed, the door is latched and free of play.

